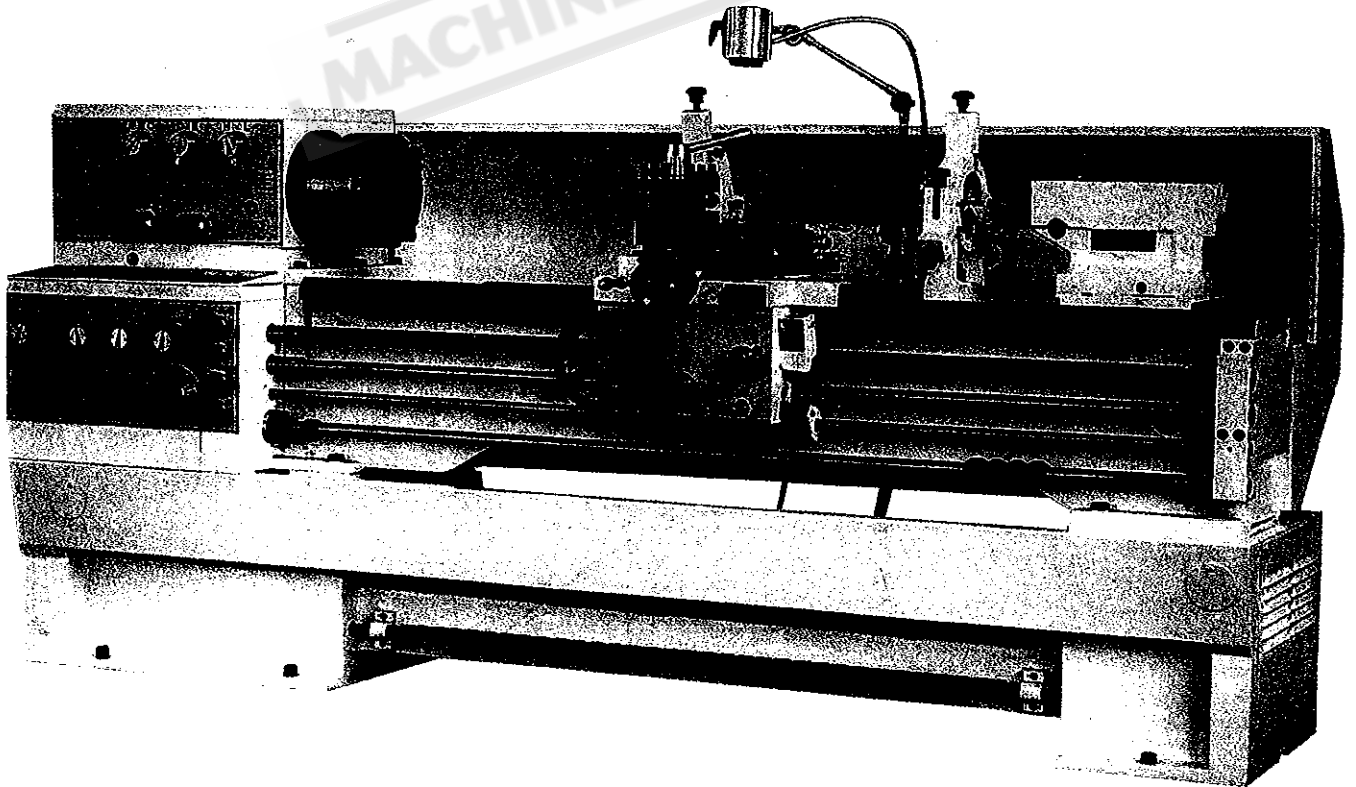
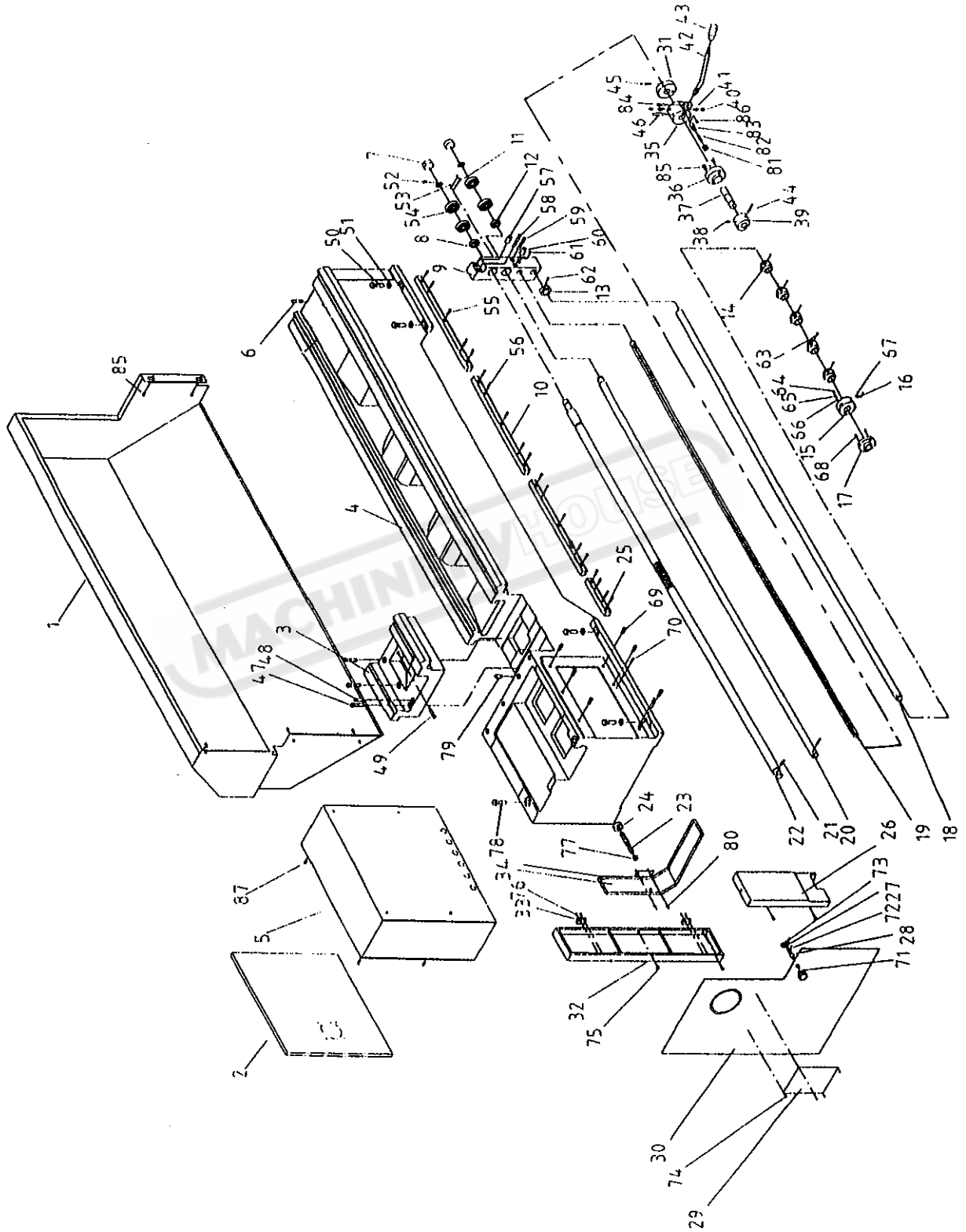


PARTS LIST

Heavy Duty Gear Head Gap Bed Engine Lathes



Bed Assembly



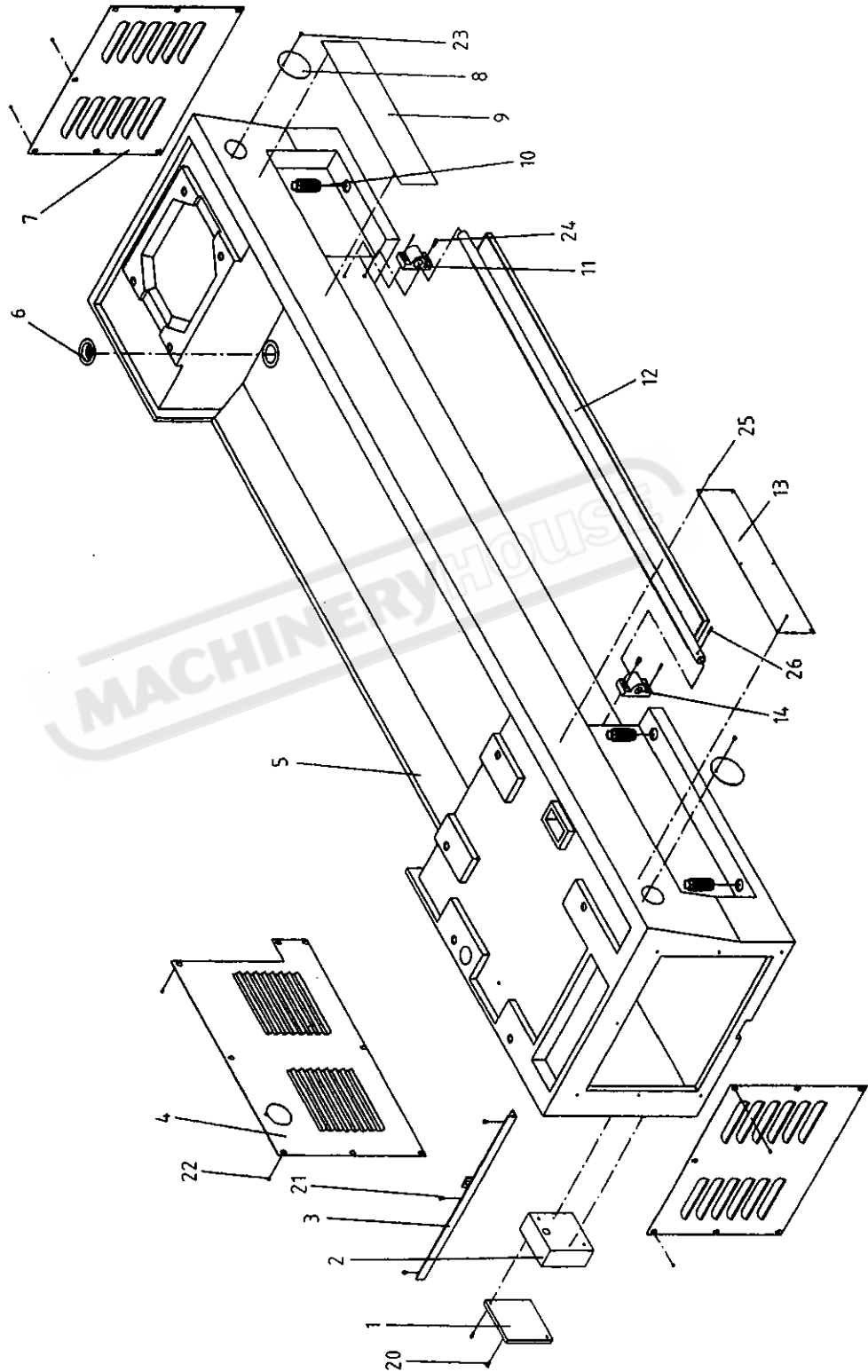
Bed Assembly

Index No.	Part No.	Description	Size	Qty.
1	C6240-10022	Baffle		1
2	C6136B-1201/1	Swich Box Cover		1
3	C6240-10009	Sadde		1
4	C6240-10012	Bed		1
5	C6136B-1201/2	Swich Box		1
6	GHB-1340-01112	Blot		1
7	C6240-10020	Plug		2
8	C6240-10018	Retainer Ring		1
9	C6240-10019	Cradle		1
10	C6240-10011	Rack		3
11	C6240-10021	Name Plate		1
12	C6240-10017	Retainer Ring		1
13	C6240-10030	Retainer Ring		1
14	C6240-10039	Eccentricity		1
15	C6240-10041	Knob Botton		5
16	GH-1340A-08-22	Name Plate		1
17	C6240-10042	Flange		1
18	C6240-10037	Pole		1
19	C6240-10015	Switch Pole		1
20	C6240-10014	Pole		1
21	C6240-10008	Taper Pin		2
22	C6240-10013	Screw Pole		1
23	C6240-10007	Screw		1
24	C6240-10044	Ring		1
25	C6240-10010	Rack		1
26	C6240-10006	Change Gear		1
27	C6240-10002	Cam Lock		1
28	C6240-10001	Shaft		1
29	C6240-10025	Lubrication Name Plate		1
30	C6240-10003	Change Gear Cover		1
31	C6136B-1032	Wheel Flange		1
32	C6240-10005	Change Gear		1
33	C6240-10004	Change Gear		2
34	C6240-10046	Change Gear Oil Baffle		1

Index No.	Part No.	Description	Size	Qty.
35	C6136B-1030	Lever Base		1
36	C6136B-1034	Position Dish		1
37	C6240-10055	Switch Axle		1
38	GB73-85	Screw	M6x16	1
39	C6136B-1036B	Cam		1
40	GB73-85	Screw	M8x10	2
41	GB75-85	Screw	M8x16	2
42	C6136B-1028	Lever Rod	M6x16	1
43	GB4141.14	Knob	M10x50	2
44	GB68-79	Spring Pin	5x45	1
45	GB117-86	Pin	5x30	1
46	GB117-86	Pin	6x45	1
47	GB70-85	Hex Socker Cap Screw	M16x70	6
48	GB118-85	Pin	16x60	2
49	GB70-85	Hex Socket Cap Screw	M12x50	1
50	GB5780-86	Hex Head Screw	M20x55	9
51	GB97.1-85	Washer	20	14
52	GB894-86	Retainer Ring	25	2
53	GB818-85	Screw	M3x6	2
54	GB276-89	Bearing	61905	4
55	GB70-85	Hex Socket Cap Screw	M8x30	11
56	GB118-86	Inner Thread Pin	8x45	8
57	GB118-86	Inner Thread Pin	10x40	2
58	GB70-85	Hex Socket Cap Screw	M12x50	1
59	GB70-85	Hex Socket Cap Screw	M12x80	1
60	GB78-86	Screw	M20x25	1
61	GB78-85	Screw	M8x16	1
62	GB78-85	Screw	M8x8	1
63	GB80-85	Screw	M8x10	5
64	GB77-85	Screw	M10x10	1
65	GB2089-80	Spring	1x6x18	1
66	GB308-84	Steel Ball	φ 8	1
67	GB818-85	Screw	M3x6	2
68	GB70-85	Hex Socket Cap Srew	M6x20	2
69	GB70-85	Hex Socket Cap Srew	M12x30	6
70	GB818-86	Taper Pin	10x24	2

Index No.	Part No.	Description	Size	Qty.
71	GB4141.29A-85	Knob	12x50	1
72	GB879-86	Spring Pin	4x24	1
73	GB879-86	Spring Pin	4x18	1
74	GB818-85	Screw	M3x6	4
75	GB70-85	Hex Socket Cap Screw	M8x20	4
76	GB70-85	Hex Socket Cap Screw	M5x120	4
77	GB6170-86	Hex Nut	M16	1
78	GB5780-86	Hex Head Screw	M20x55	5
79	GB120-86	Inner Thread Pin	20x40	1
80	GB70-85	Hex Socket Cap Screw	M6x10	2
81	C6136B-1041	Screw		2
82	GB2089-80	Spring	1.2x8x14	2
83	C6136B-1042	Cylinder Plug		2
84	C6136B-1029	Key		2
85	GB70-85	Hex Socket Cop Screw	M8x16	5
86	GB119-86	Cylinder Plug	B5x10	2
87	GB70-85	Hex Socket Cop Screw	M6x16	2

Stand Assembly

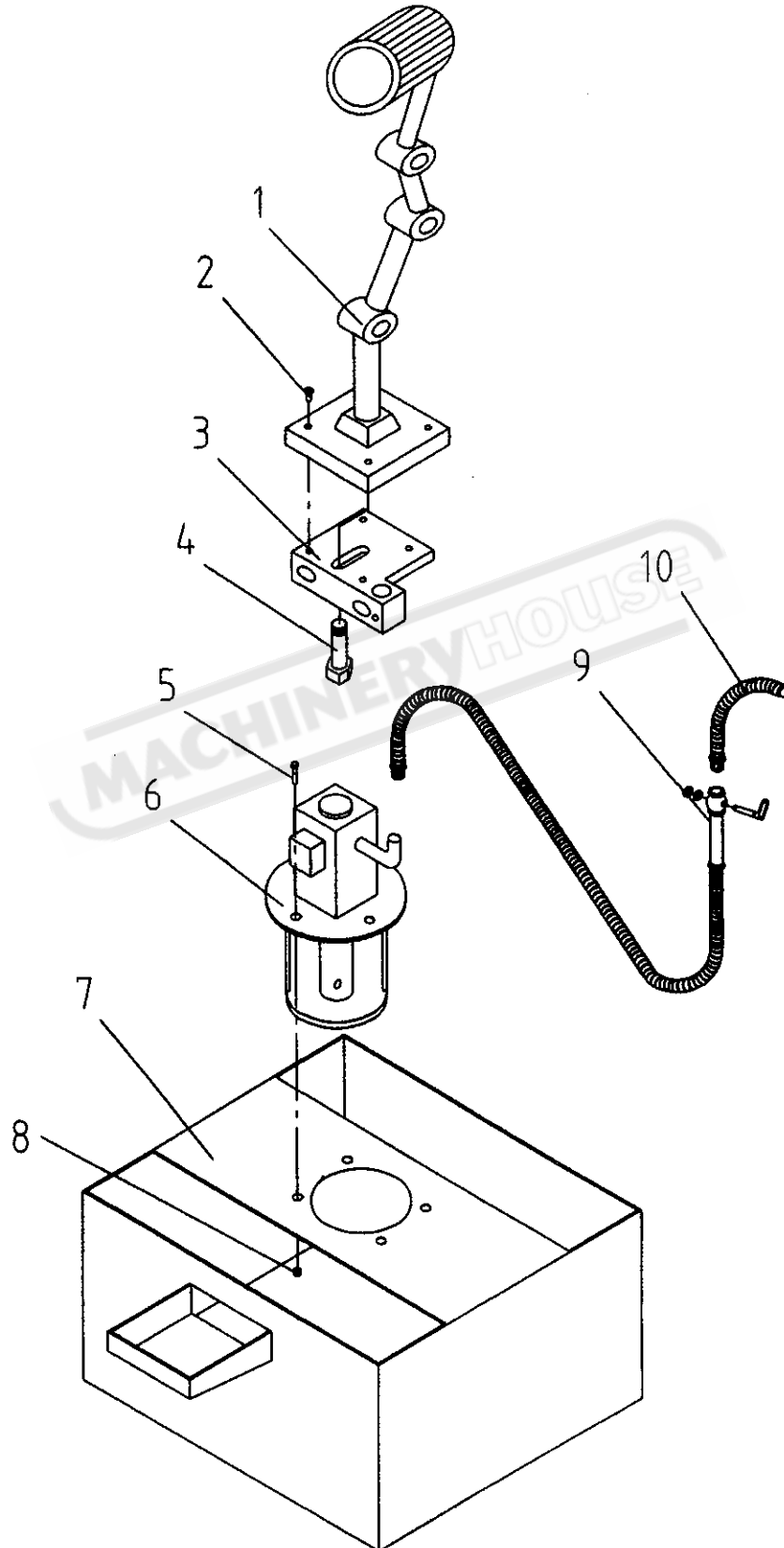


MACHINERY HOUSE

Stand Assembly

Index No.	Part No.	Description	size	Qty.
1	C6240-10029	Cover		1
2	C6240-10028	Power Wire Box		1
3	C6240-10047	Change Gear Cover I		1
4	C6240-10027	Base Behind Cover		1
5	C6240-10036	Base		1
6	C6240-10033	Filter Board		1
7	C6240-10026	Base Cover		2
8	C6240-10045	Cover		4
9	C6240-10035	Name Plate		1
10	C6240-10031	Screw		6
11	C6240-10034	Bracket		1
12	C6240-10038	Brake Redal		1
13	C6240-10043	Name Plate		1
14	C6240-10040	Bracket		1
20	GB70-85	Hex Socket Cap Screw	M6 x 16	4
21	GB70-85	Hex Socket Cap Screw	M6 x 10	3
22	GB818-85	Screw	M5 x 8	23
23	GB818-85	Screw	M6 x 10	4
24	GB70-85	Hex Socket Cap Screw	M8 x 20	4
25	GB818-85	Screw	M3 x 6	6
26	GB879-86	Spring Pin	5 x 24	5

Coolant and Light Assembly

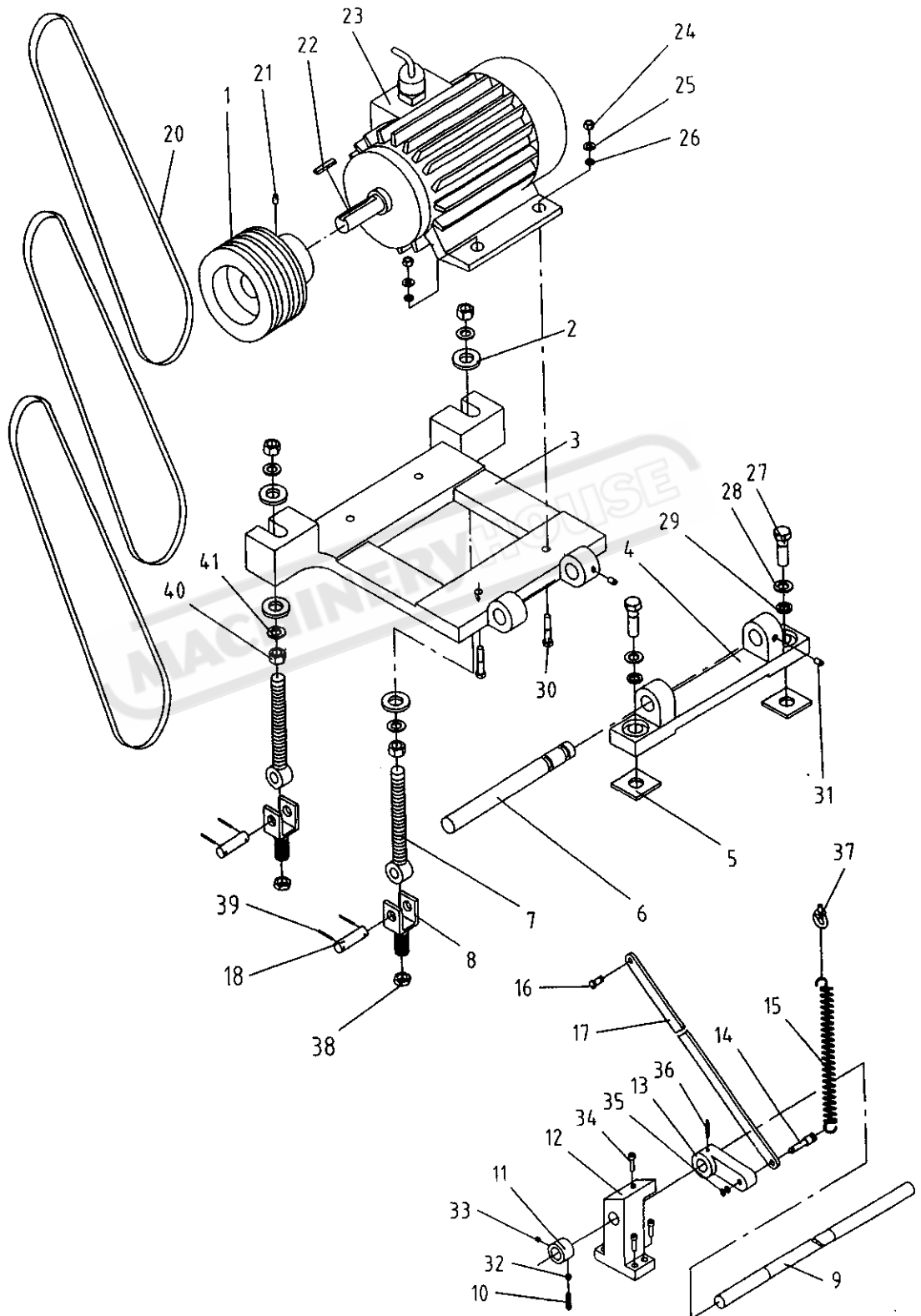


Coolant and Light Assembly

Index	Part	Description	Size	Qty.
No.	No.			
1	JC38	Work Light		1
2	GHW-CW02	Cross Head Screw	M6 x 14	4
3	GH-1340A-14-03	Lamp Base		1
4	14-04	Connected Tube		1
5	GHW-CW08	Hex Cap Bolt	M5 x 25	4
6		Coolant Pump	AB-25	1
7	C6240-10032	Coolant Tank		1
8	TS-1540031	Nut		4
9	GHW-CW07	Rubber Tube		1
10	GHW-CW06	Coolant Device		1

MACHINERYHOUSE

Brake Assembly



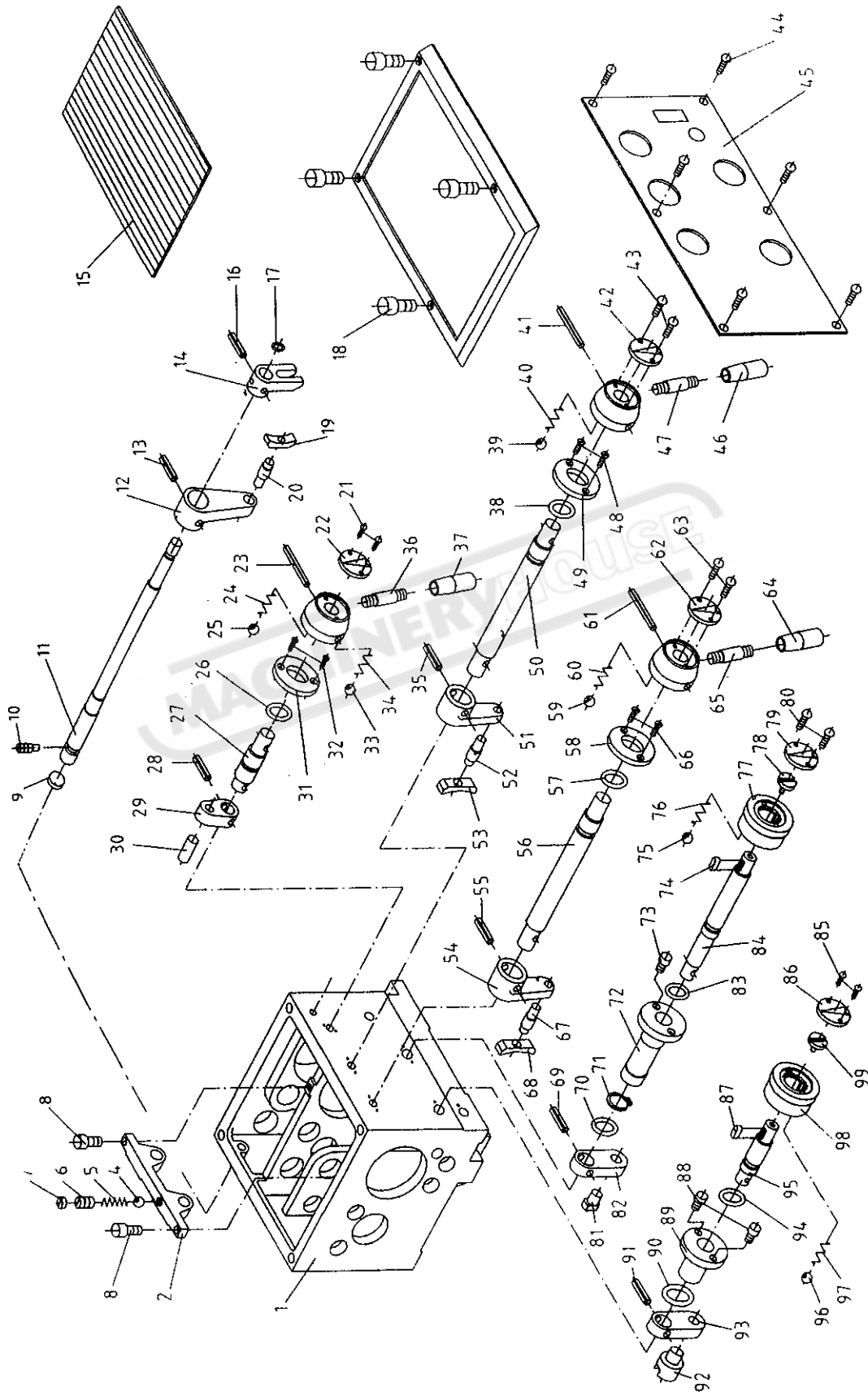
Brake Assembly

Index No.	Part No.	Description	Size	Qty.
1	C6240-11001A	Pulley		1
2	C6240-11009	Washer		4
3	C6240-11008A	Motor Base		1
4	C6240-11014	Motor Bracket		1
5	C6240-11017	Washer		2
6	C6240-11019	Shaft		1
7	C6240-11010	Connection Screw		2
8	C6240-11006A	Connection Bracket		2
9	C6240-11018	Connection Rod		1
10	GH-1340A-11-14	Screw		1
11	GH-1340A-11-07	Sleeve		1
12	C6136W-1017	Bracket		1
13	C6240-11013A	Switch Rod		1
14	GH-1340A-11-05	Shaft		1
15	GH-1340A-11-04	Spring		1
16	C6136W-1028	Pin		1
17	C6240-11021	Connection Rod		1
18	C6240-11007A	Connection Pin		2
20	GB1171-74	V-Belt	B2057	3
21	GB77-85	Hex Socket Cap Screw	M10 x 20	1
22	GB1096-79	Flat Key	10 x 80	1
23	Y132S-4	Motor		1
24	GB6170-86	Hex Nut	M12	4
25	GB97.1-85	Spring Washer	12	4
26	GB93-85	Spring Washer	12	4
27	GB5780-86	Hex Head Screw	M20 x 45	2
28	GB97.1-85	Spring Washer	20	2
29	GB93-85	Spring Washer	20	2
30	GB5780-86	Hex Head Screw	M12 x 60	4
31	GB79-85	Screw	M10 x 20	2
32	GB6170-86	Hex Nut	M6	1
33	GB78-85	Hex Socket Cap Screw	M8 x 10	1
34	GB70-85	Hex Socket Cap Screw	M8 x 30	5
35	GB894-86	Shaft Ring	6	2

Index	Part	Description	Size	Qty.
No.	No.			
36	GB879-86	Spring Pin	5 x 40	1
37	GB825-76	Flying Rings	M8	1
38	GB6172-86	Hex Nut	M20	2
39	GB91-86	Split Pin	3 x 40	4
40	GB6170-86	Hex Nut	M20	4
41	GB97.1-85	Spring Washer	20	4

MACHINERYHOUSE

Headstock Assembly



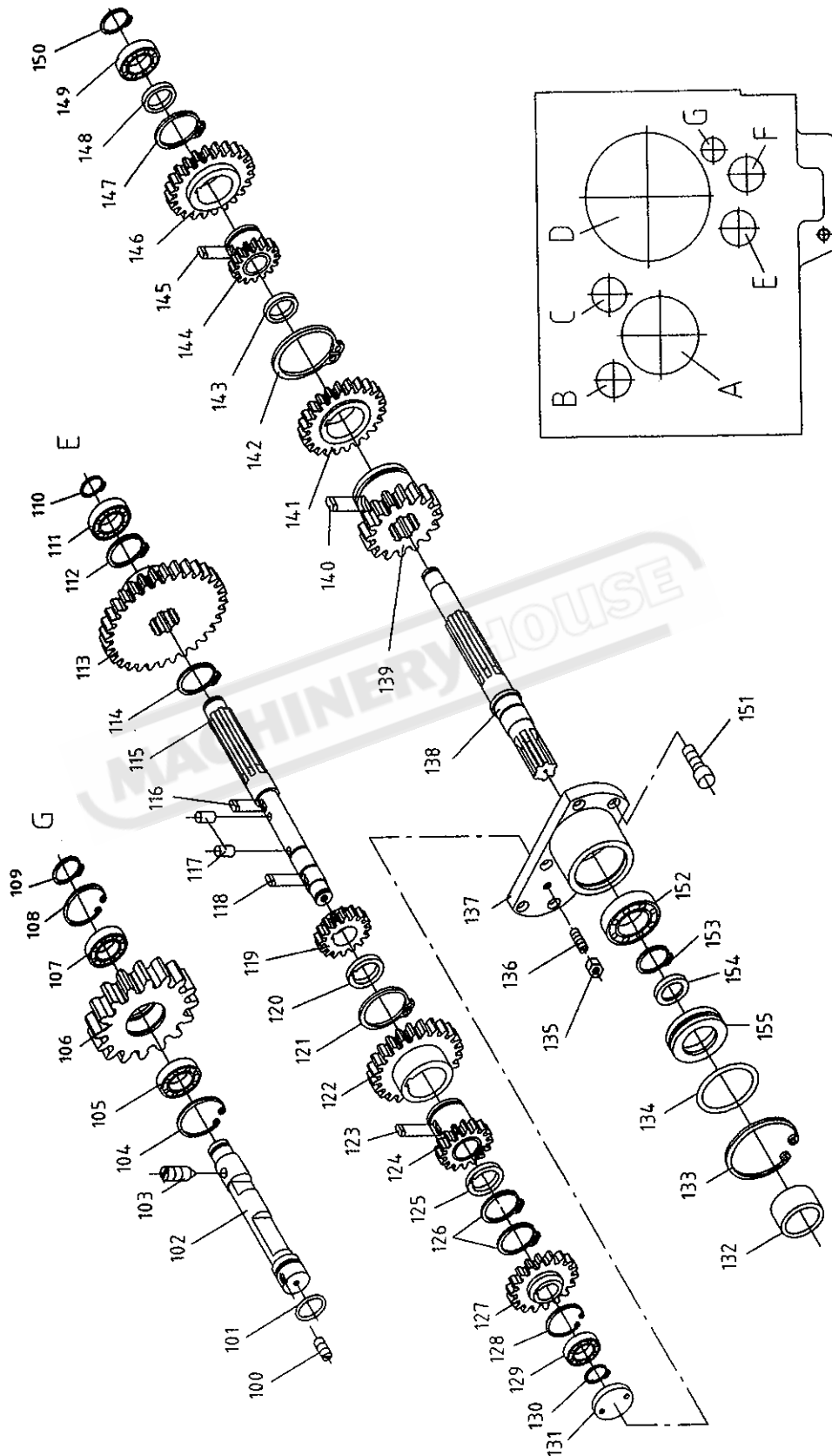
Headstock Asembly

Index No.	Part No.	Description	Size	Qty.
1	C6240-20011	Headstock Casting		1
2	C6240-20015	Support		1
4	GB308-77	Steel Ball	ϕ 10	1
5	C6240-20030	Spring		1
6	C6240-20029	Spring Base		1
7	C6240-20028	Set Screw		1
8	GB70-85	Hex Socket Cap Screw	M 6 \times 20	2
9	C6240-20046	Cover		1
10	GB75-85	Screw	M6 \times 12	1
11	C6240-20039	Shifter Rod		1
12	C6240-20045	Shifter Fork		1
13	GB879-86	Spring Pin	5 \times 30	1
14	C6240-20038	Shifter Fork		1
15	C6240-20002	Rubber Gasket		1
16	GB879-86	Spring Pin	5 \times 30	1
17	GB3452.9-82	Oil Seal	10 \times 1.8	1
18	GB70-85	Hex Socket Cap Screw	M10 \times 35	4
19	C6240-20012	Shifter Block		1
20	C6240-20033	Shaft		1
21	GB818-86	Screw	M3 \times 5	2
22	C6240-20001	Name Plate		1
23	GB879-86	Spring Pin	6 \times 60	1
24	C624-20018	Spring		1
25	GB308-77	Steel Ball	ϕ 9	1
26	GB3452.9-82	Oil Seal	15 \times 2.65	1
27	C6240-20041	Shifter Rod		1
28	GB879-86	Spring Pin	5 \times 30	1
29	C6240-20043	Shifter Fork		1
30	C6240-20042	Pin		1
31	C6240-20017	Position Plate		1
32	GB68-85	Screw	M6 \times 12	2
33	GB308-77	Steel Ball	ϕ 9	1
34	C6240-20018	Spring		1
35	GB879-86	Spring Pin	5 \times 30	1

Index	Part	Description	Size	Qty.
No.	No.			
36	C6240-20020	Lever		1
37	GB4141.14-84	knob	BM8 × 40	1
38	GB3452.9-82	Oil Seal	15 × 2.65	1
39	GB308-77	Steel Ball	φ 9	1
40	C6240-20018	Spring		1
41	GB879-86	Spring Pin	6 × 60	1
42	C6240-20001	Name Plate		1
43	GB818-86	Screw	M3 × 5	2
44	GB818-86	Screw	M3 × 5	6
45	C6240-20004	Name Plate		1
46	GB4141.14-84	Knob	BM8 × 40	1
47	C6240-20020	Lever		1
48	GB68-85	Screw	M6 × 12	2
49	C6240-20017	Position Plate		1
50	C6240-20016	Shifter Fork		1
51	C6240-20014	Shifter Fork		1
52	C6240-20013	Shaft		1
53	C6240-20012	Shifter Block		1
54	C6240-20032	Shifter Fork		1
55	GB879-86	Spring Pin	5 × 30	1
56	C6240-20031	Shifter Rod		1
57	GB3452.9-82	Oil Seal	15 × 2.65	1
58	C6240-20017	Position Plate		1
59	GB308-77	Steel Ball	φ 9	1
60	C6240-20018	Spring		1
61	GB879-86	Spring Pin	6 × 60	1
62	C6240-20001	Name Plate		1
63	GB818-86	Screw	M3 × 5	2
64	GB4141.14-84	Knob	BM8 × 40	1
65	C6240-20020	Lever		1
66	GB68-85	Screw	M6 × 12	2
67	C6240-20033	Shaft		1
68	C6240-20012	Shifter Block		1
69	GB879-86	Spring Pin	4 × 28	1
70	GB3452.9-82	Oil Seal	24 × 2.65	1
71	GB894.2-86	C-Ring	16	1

Index No.	Part No.	Description	Size	Qty.
72	C6240-20025	Long Sleeve		1
73	GB70-85	Hex Socket Cap Screw	M6 x 12	2
74	GB1096-79	Key	5 x 12	1
75	GB308-77	Steel Ball	φ 9	2
76	C6240-20018	Spring		2
77	C6240-20024	Handle Base		1
78	C6240-20023	Screw		1
79	C6240-20001	Name Plate		1
80	GB818-86	Screw	M3 x 5	2
81	C6240-20026	Shifter Block		1
82	C6240-20021	Shifter Arm		1
83	GB3452.9-82	Oil Seal	12.5 x 1.8	1
84	C6240-20022	Shaft		1
85	GB818-86	Screw	M3 x 5	2
86	C6240-20001	Name Plate		1
87	GB1096-79	Key	5 x 12	1
88	GB70-85	Hex Socket Cap Screw	M6 x 12	2
89	C6240-20035	Sleeve		1
90	GB3452.9-82	Oil Seal	24 x 2.65	1
91	GB879-86	Spring Pin	4 x 28	1
92	C6240-20037	Shifter Fork		1
93	C6240-20052	Shifter Arm		1
94	GB3452.9-82	Oil Seal	12.5 x 1.8	1
95	C6240-20036	Shaft		1
96	GB308-77	Steel Ball	φ 9	1
97	C6240-20018	Spring		1
98	C6240-20034	Handle Base		1
99	C6240-20023	Screw		1

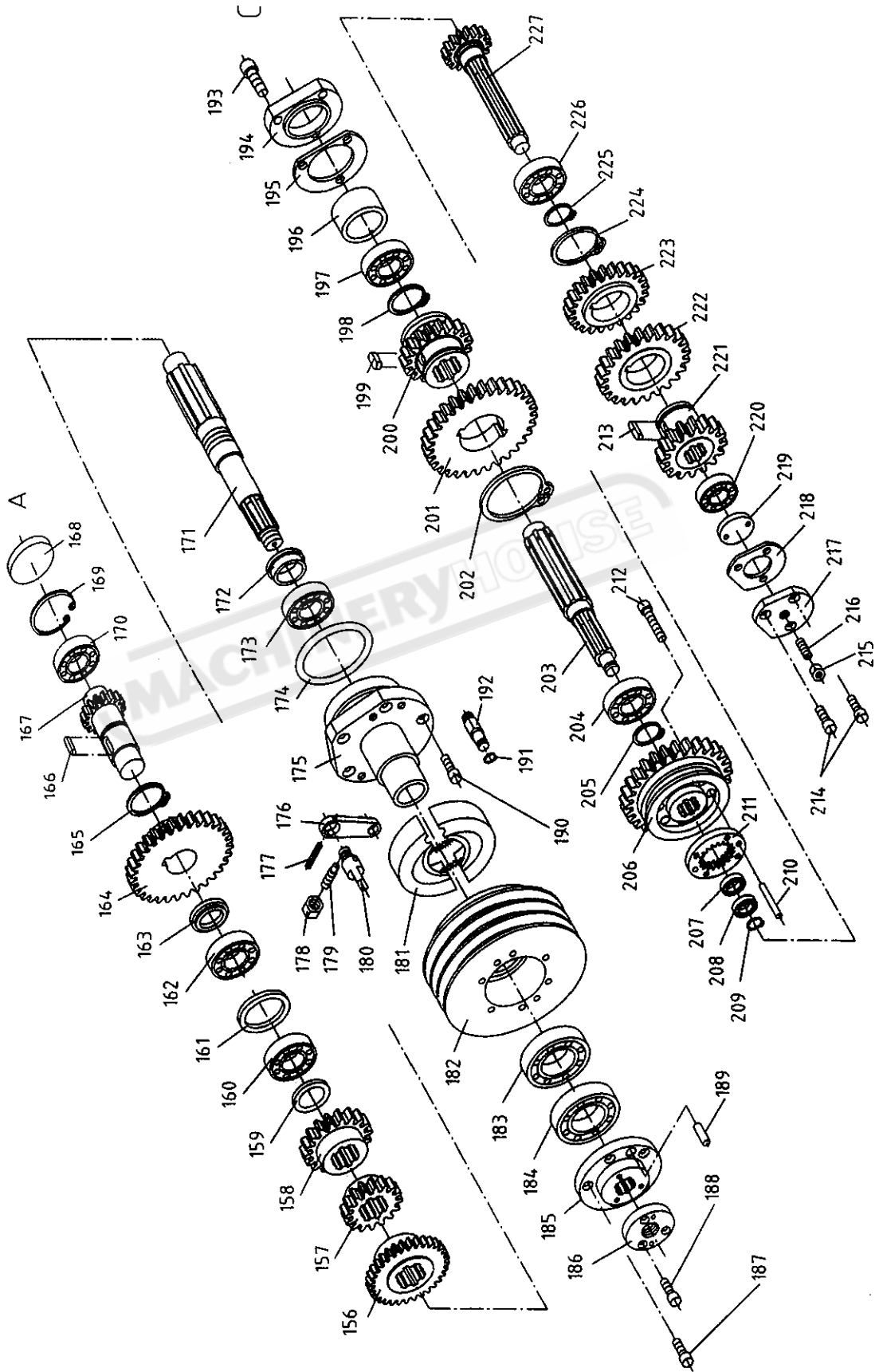
Headstock Assembly



Index No.	Part No.	Description	Size	Qty.
100	GB71-85	Screw	M6 x 12	1
101	GB3452.9-82	Oil Seal	26.5 x 2.65	1
102	C6240-20088	Shaft		1
103	GB71-85	Screw	M6 x 10	1
104	GB893.1-86	C-Ring	47	1
105	GB/T276-94	Bearing	16005/p5	1
106	C6240-20087	Gear		1
107	GB/T276-94	Bearing	16005/p5	1
108	GB893.1-86	C-Ring	47	1
109	GB894.2-86	C-Ring	25	1
110	GB894.2-86	C-Ring	20	1
111	GB/T276-94	Bearing	6204/p5	1
112	GB894.2-86	C-Ring	28	1
113	C6240-20089	Gear		1
114	GB894.2-86	C-Ring	28	1
115	C6240-20090	Spline Shaft		1
116	GB1096-79	Key	6 x 12	1
117	GB119-86	Pin	A3 x 14	2
118	GB1096-79	Key	6 x 12	1
119	C6240-20091	Gear		1
120	C6240-20092	Washer		1
121	GB894.2-86	C-Ring	42	1
122	C6240-20098	Gear		1
123	GB1096-79	Key	6 x 12	1
124	C6240-20102	Gear Assembly		1
125	C6240-20092	Washer		1
126	GB894.2-86	C-Ring	22	2
127	C6240-20109	Gear		1
128	GB893.1-86	C-Ring	47	1
129	GB/T276-94	Bearing	6204/p5	1
130	GB894.2-86	C-Ring	20	1
131	C6240-20116	Bearing Cover		1
132	C6240-20107	Retaining Ring		1
133	GB893.1-86	C-Ring	62	1
134	GB3452.9-82	Oil Seal	56 x 2.65	1
135	GB6170-86	Nut	M10	1

Index	Part	Description	Size	Qty.
No.	No.			
136	GB77-85	Screw	M10 × 25	1
137	C6240-20009	Bearing Base		1
138	C6240-20093	Spring Shaft		1
139	C6240-20103	Gear		1
140	GB1096-79	Key	6 × 12	1
141	C6240-20104	Gear		1
142	GB894.2-86	C-Ring	45	1
143	C6240-20101	Washer		1
144	C6240-20100	Gear Assembly		1
145	GB1096-79	Key	6 × 12	1
146	C6240-20099	Gear		1
147	GB894.2-86	C-Ring	42	1
148	C6240-20095	Washer		1
149	GB/T276-94	Bearing	6204/p5	1
150	GB894.2-86	C-Ring	20	1
151	GB70-85	Hex Socket Cap Screw	M8 × 16	6
152	GB/T276-94	Bearing	6206	1
153	GB894.2-86	C-Ring	30	1
154	GB9877.1-88	Oil Seal	B30 × 52 × 7	1
155	C6240-20106	Spacer		1

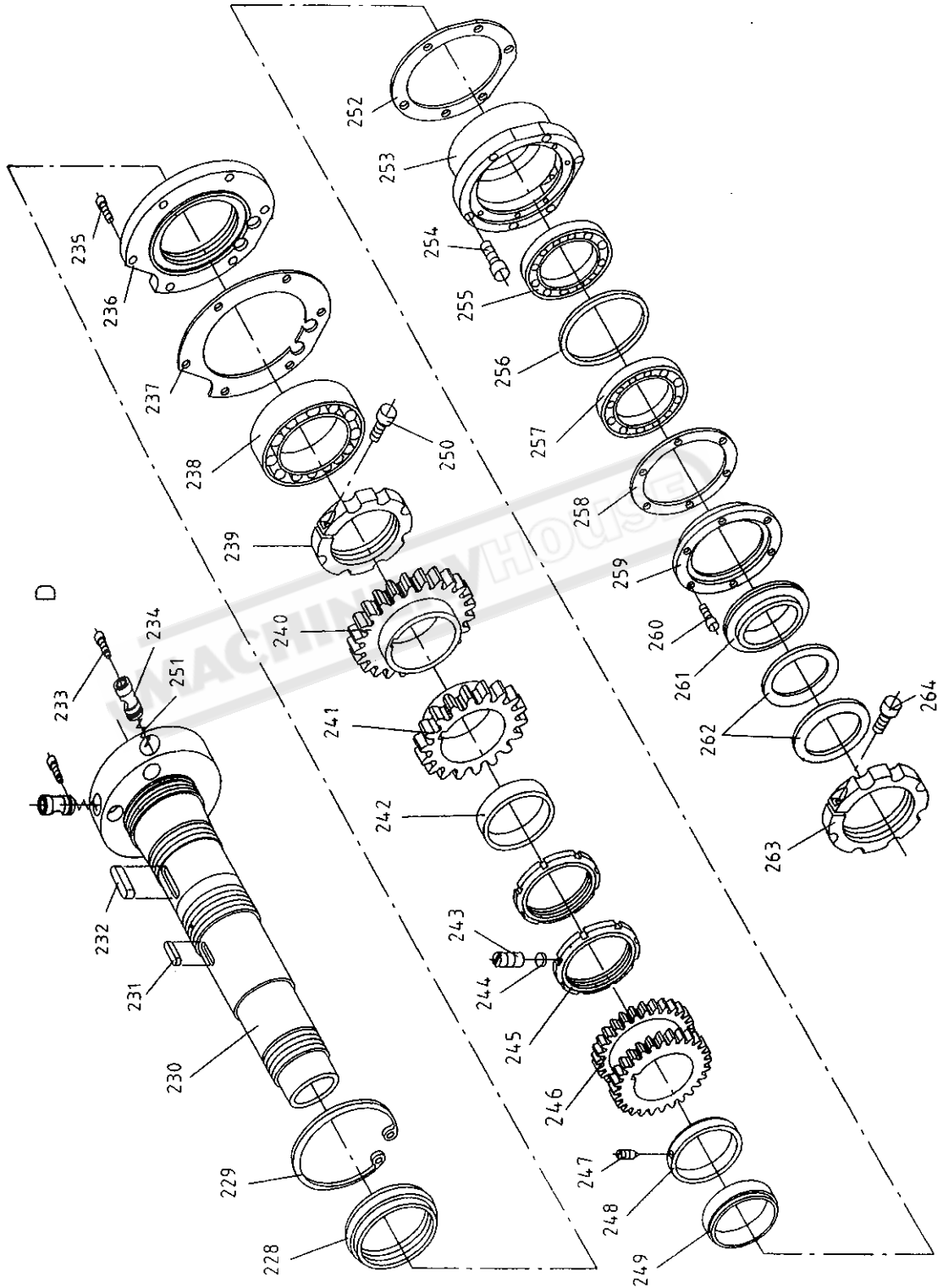
Headstock Assembly



Index No.	Part No.	Description	Size	Qty.
156	C6240-20125	Gear		1
157	C6240-20124	Gear		1
158	C6240-20056	Gear		1
159	C6240-20140	Spacer		1
160	GB/T276-94	Bearing	6306/P5	1
161	C6240-20057	Spacer		1
162	GB/T276-94	Bearing	6306/P5	1
163	C6240-20058	Spacer		1
164	C6240-20059	Gear		1
165	GB894.2-86	C-Ring	40	1
166	GB1096-79	Key	12 x 28	1
167	C6240-20060	Shaft Gear		1
168	C6240-20069	Cover		1
169	GB893.1-86	C-Ring	72	1
170	GB/T276-94	Bearing	6207/P5	1
171	C6240-20127	Spline Shaft		1
172	C6240-20126	Spacer		1
173	GB/T276-94	Bearing	6207/P5	1
174	GB3452.9-82	Oil Seal	95 x 3.55	1
175	C6240-20135A	Bearing Base		1
176	C6136W-2202	Brake Board		1
177	GB879-86	Spring Pin	.5 x 30	1
178	GB6170-86	Hex Nut	M8	1
179	GB75-85	Screw	M8 x 20	1
180	C6240-20144	Shaft		1
181		Brake Block		1
182	C6240-20133	Pulley		1
183	GB/T276-94	Bearing	6209/p5	1
184	GB/T276-94	Bearing	6209/p5	1
185	C6240-20129	Spline Sleeve		1
186	C6240-20128	Paper Pad		1
187	GB70-85	Hex Socket Cap Screw	M6 x 16	6
188	GB70-85	Hex Socket Cap Screw	M6 x 16	3
189	GB117-86	Taper Pin	A6 x 25	2
190	GB70-85	Hex Socket Cap Screw	M8 x 16	5
191	GB894.2-86	C-Ring	8	1

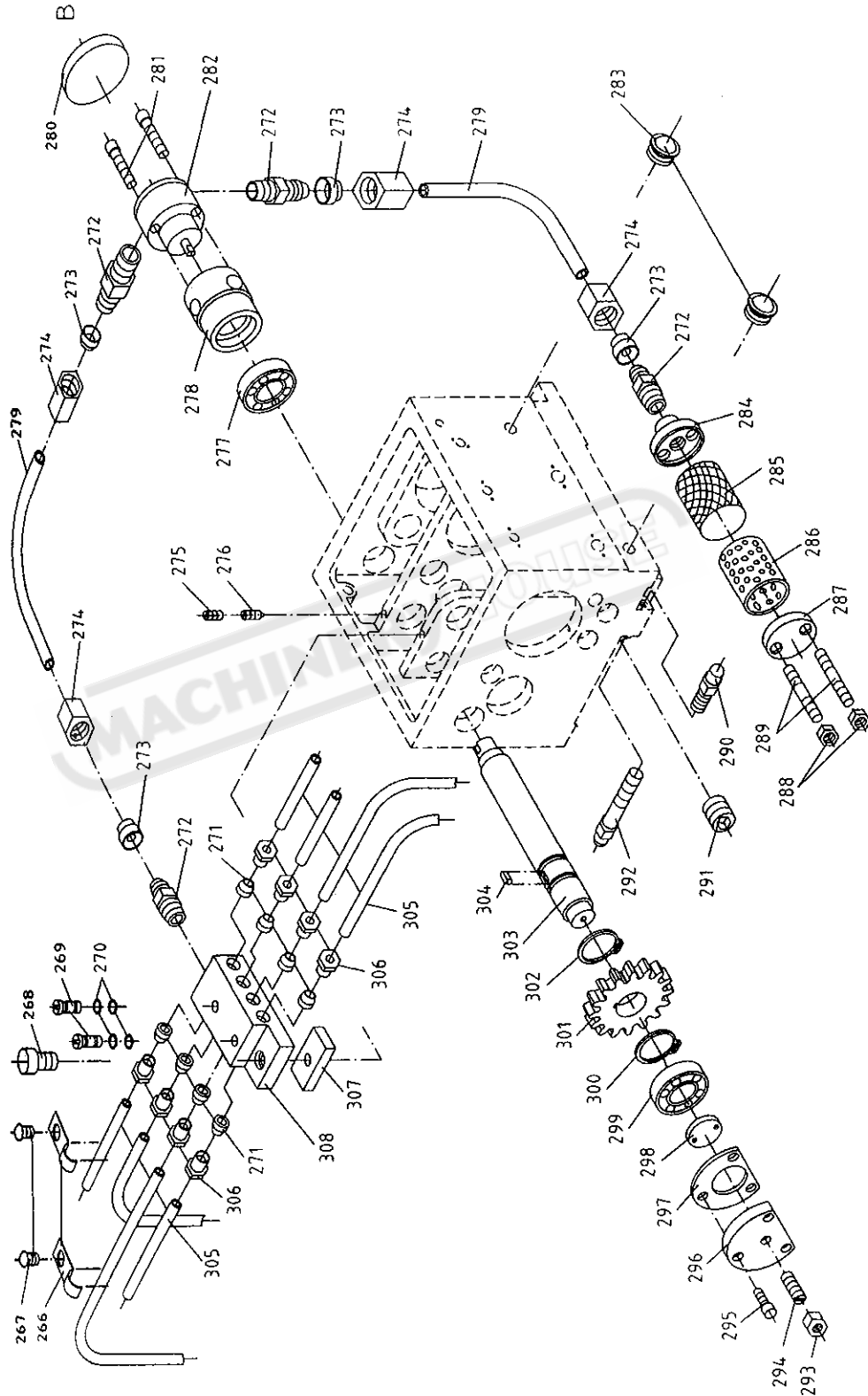
Index No.	Part No.	Description	Size	Qty.
192	C6240-20143	Brake Screw		1
193	GB70-85	Hex Socket Cap Screw	M8 x 16	3
194	C6240-20072	Cover		1
195	C6240-20071	Paper Pad		1
196	C6240-20141	Spacer Sleeve		1
197	GB/T276-94	Bearing	6206	1
198	GB894.2-86	C-Ring	42	1
199	GB1096-79	Key	10 x 15	1
200	C6240-20068-1	Gear		1
201	C6240-20068-2	Gear		1
202	GB894.2-86	C-Ring	60	1
203	C6240-20070	Spline Shaft		1
204	GB/T276-94	Bearing	6206	1
205	GB894.2-86	C-Ring	30	1
206	C6240-20066	Gear		1
207	GB/T276-94	Bearing	61903/P5	1
208	GB/T276-94	Bearing	61903/P5	1
209	GB894.2-86	C-Ring	17	1
210	GB117-86	Taper Pin	A6 x 25	1
211	C6240-20073	Gear		1
212	GB70-85	Hex Socket CapScrew	M6 x 30	4
213	GB1096-79	Key	8 x 25	1
214	GB70-85	Hex Socket CapScrew	M6 x 16	3
215	GB6170-86	Hex Nut	M10	1
216	GB77-85	Screw	M10 x 25	1
217	C6240-20120	Cover		1
218	C6240-20118	Gasket		1
219	C6240-20122	Cover		1
220	GB/T276-94	Bearing	6204/P5	1
221	C6240-20142	Gear		1
222	C6240-20123	Gear		1
223	C6240-20121	Gear		1
224	GB894.2-86	C-Ring	50	1
225	GB894.2-86	C-Ring	30	1
226	GB/T276-94	Bearing	6206	1
227	C6240-20117	Shaft Gear		1

Headstock Assembly



Index No.	Part No.	Description	Size	Qty.
228	C6240-20077	Nut		1
229	GB893.1-86	C-Ring	180	1
230	C6240-20075	Spindle		1
231	GB1096-79	Key	12 × 32	1
232	GB1096-79	Key	16 × 45	1
233	C6240-20078	Screw		6
234	C6240-20074	Cam		6
235	GB70-85	Hex Socket Cap Screw	M8 × 25	6
236	C6240-20076	Spindle Front Cover		1
237	C6240-20086	Paper Pad		1
238	GB/T285-94	Double Row Cylindrical Roller Bearing	NN3024K/w33/p5	1
239	C6240-20079	Nut		1
240	C6240-20080	Gear		1
241	C6240-20085	Gear		1
242	C6240-20081	Washer		1
243	GB77-85	Screw	M8 × 16	1
244	CQ6232A-1023	Washer		1
245	C6240-20082	Nut		2
246	C6240-20083	Gear		1
247	GB71-85	Screw	M10 × 12	1
248	C6240-20084	Adjust Washer		1
249	C6240-20110	Spacer		1
250	GB70-85	Hex Socket Cap Screw	M8 × 20	1
251	C6240-20018	Spring		6
252	C6240-20118	Gasket		1
253	C6240-20111	Spindle Rear Bearing Base		1
254	GB70-85	Hex Socket Cap Screw	M8 × 30	6
255	GB/T292-94	Baering	7020Ac/BD/P5	1
256	C6240-20132	Spacer		1
257	GB/T292-94	Bearing	7020Ac/BD/P5	1
258	C6240-20112	Paper Pad		1
259	C6240-20136	Set Sleeve		1
260	GB70-85	Hex Socket Cap Screw	M6 × 16	6
261	C6240-20113	Oil Ring		1
262	C6240-20014	Spring Washer		2
263	C6240-20015	Nut		1
264	GB70-85	Hex Socket Cap Screw	M8 × 20	1

Headstock Assembly

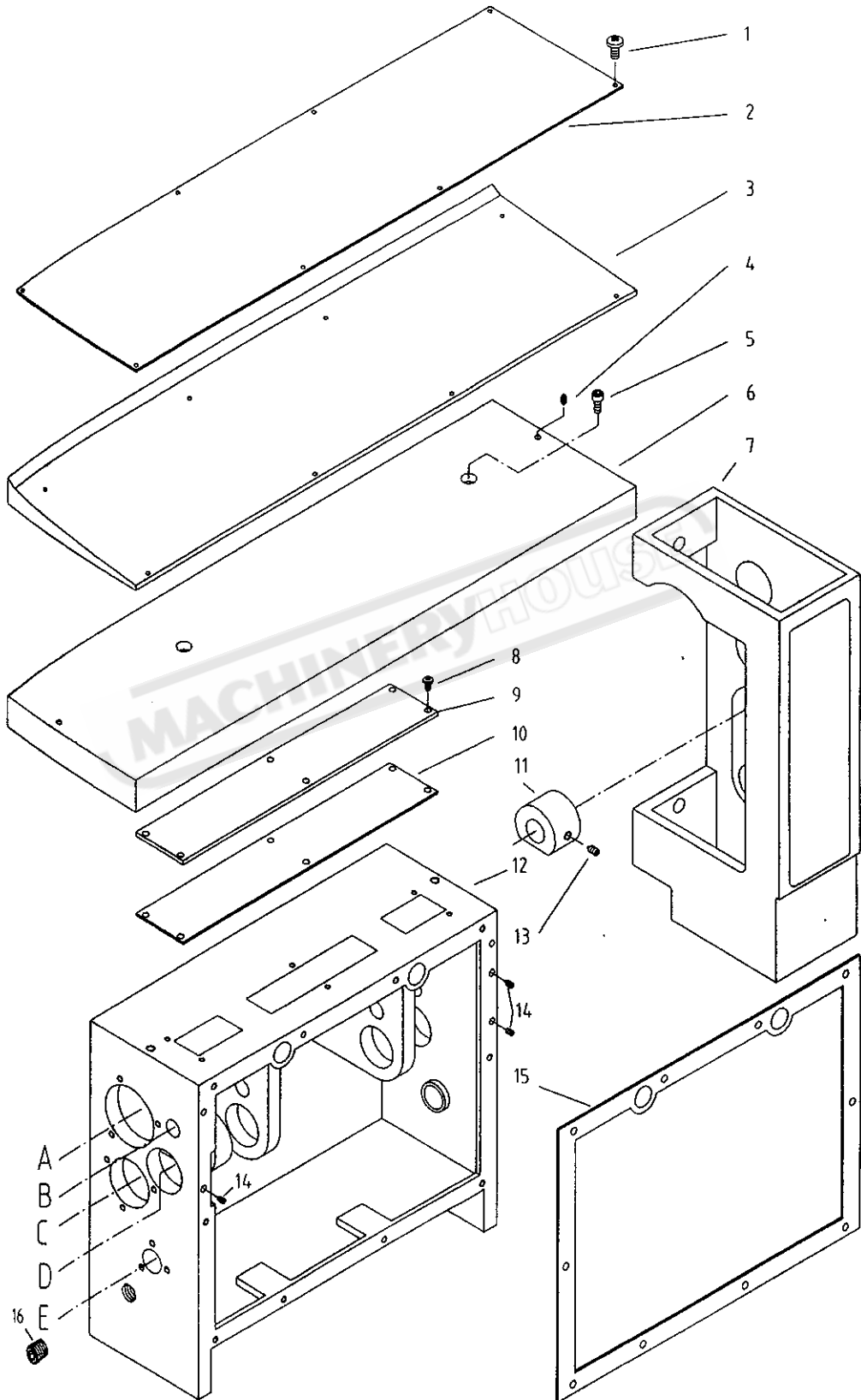


Index Part		Description	Size	Qty.
No.	No.			
266	C6240-20051	Plate		4
267	GB818-86	Screw	M5 × 8	4
268	GB70-85	Hex Socket Cap Screw	M8 × 30	1
269	C6240-20050	Oiler		2
270	GB3452.9-82	Oil Seal	4.5 × 1.8	4
271	C6240-20049	Joint		8
272	C6240-20063	Joint		4
273	C6240-20064	Protection Ring		4
274	C6240-20062	Nut		4
275	GB77-85	Hex Socket Cap Screw	M10 × 25	1
276	GB78-85	Screw	M10 × 12	1
277	GB/T276-94	Bearing	6004	1
278	C6240-20061	Valve Body		1
279		Copper Pipe	φ 8 × 0.5	1m
280	C6240-20065	Cover		1
281	GB70-85	Hex socket Cap Screw	M6 × 55	3
282	KBBY-3-2B	Oil Pump		1
283	GB1160.1-89	Oil Sight Glass	16	2
284	C6240-20094	Joint		1
285		Screen	40"	
286	C6240-20096	Filtrator		1
287	C6240-20097	Filtrator Cover		1
288	GB6170-86	Nut	M4	2
289	GB901-88	Blot	M4 × 55	2
290	C6240-20010	Adjust Screw		1
291	GH-1340A-05-75	Plug		1
292	C6240-20008	Adjust Screw		1
293	GB6170-86	Nut	M10	1
294	GB77-85	Screw	M10 × 25	1
295	GB70-85	Hex Socket Cap Screw	M6 × 16	3
296	C6240-20138	Cover		1
297	C6240-20139	Paper Pad		1
298	C6240-20122	Cover		1
299	GB/T276-94	Bearing	6204/p5	1
300	GB894.2-86	C-Ring	25	1
301	C6240-20055	Gear		1

Index Part		Description	Size	Qty.
No.	No.			
302	GB894.2-86	C-Ring	25	1
303	C6240-20054	Shaft		1
304	GB1096-79	Key	6 × 16	1
305		Copper Pipe	φ 4 × 0.5	4m
306	C6240-20047	Joint		8
307	C6240-20027	Block		1
308	C6240-20048	Oil Valve		1

MACHINERYHOUSE

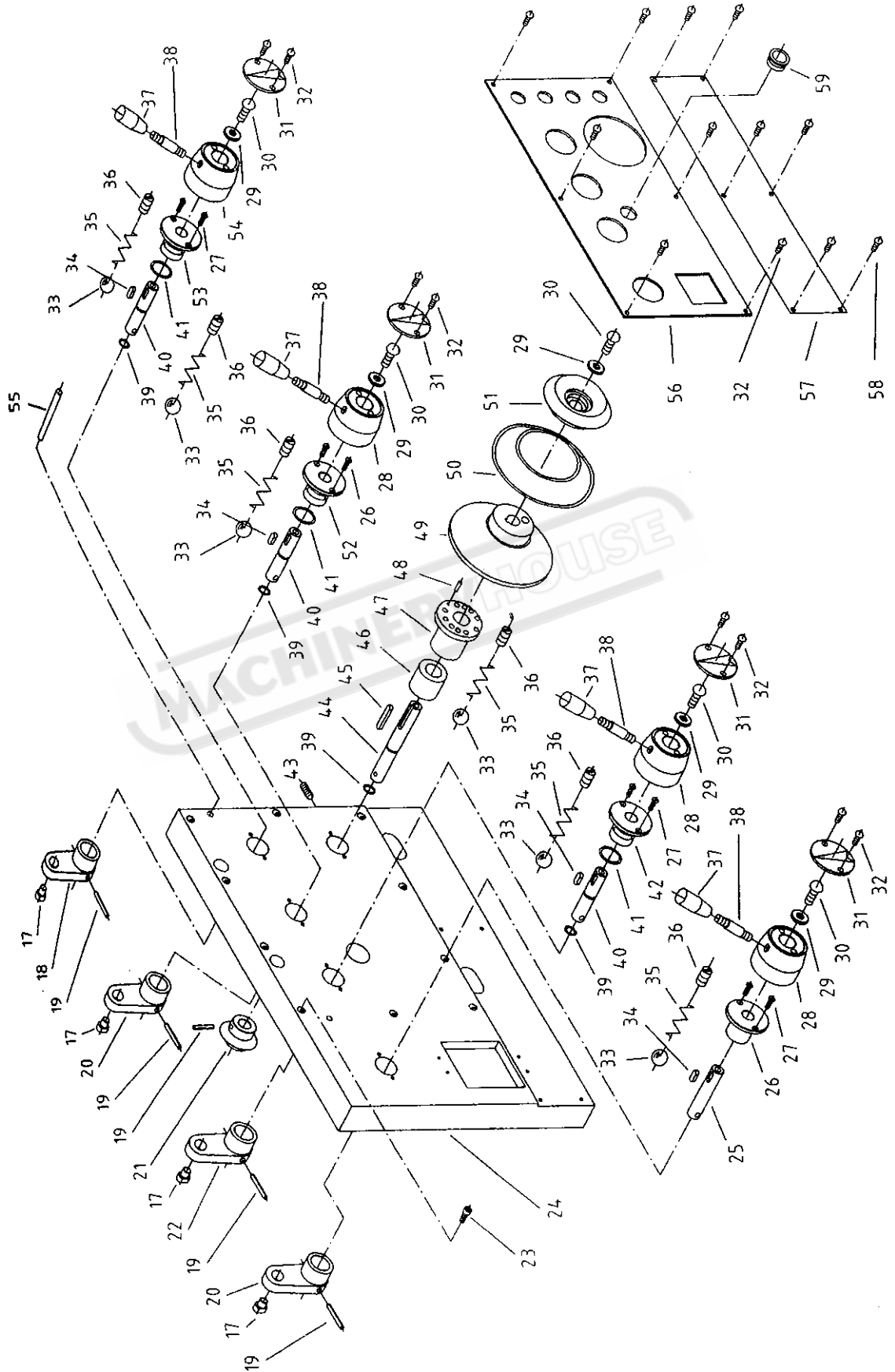
Gear Box Assembly



Gear Box Assembly

Index No.	Part No.	Description	Size	Qty.
1.....	GB818-85.....	Screw.....	M3 x 6.....	8
2.....	C6240-30062.....	Name Plate.....		1
	C6240-30062(Metric).....	Name Plate.....		1
3.....	C6240-30061.....	Top Cover.....		1
4.....	GB77-85.....	Screw.....	M6 x 16.....	2
5.....	GB70-85.....	Hex Scket Cap Screw.....	M8 x 35.....	2
6.....	C6240-30060.....	Box Cover.....		1
7.....	C6240-30059.....	Bracket.....		1
8.....	GB818-85.....	Screw.....	M5 x 8.....	6
9.....	C6240-30063.....	Cover.....		1
10....	C6240-30064.....	Washer.....		1
11....	C6240-30058.....	Cam.....		1
12....	C6240-30001.....	Gear Box.....		1
13....	GB78-85.....	Screw.....	M8 x 10.....	1
14....	GB79-85.....	Screw.....	M6 x 20.....	1
15....	C6240-30065.....	Washer.....		1
16....	GH-1340A-06-35.....	Plug.....		1

Gear Box Assembly

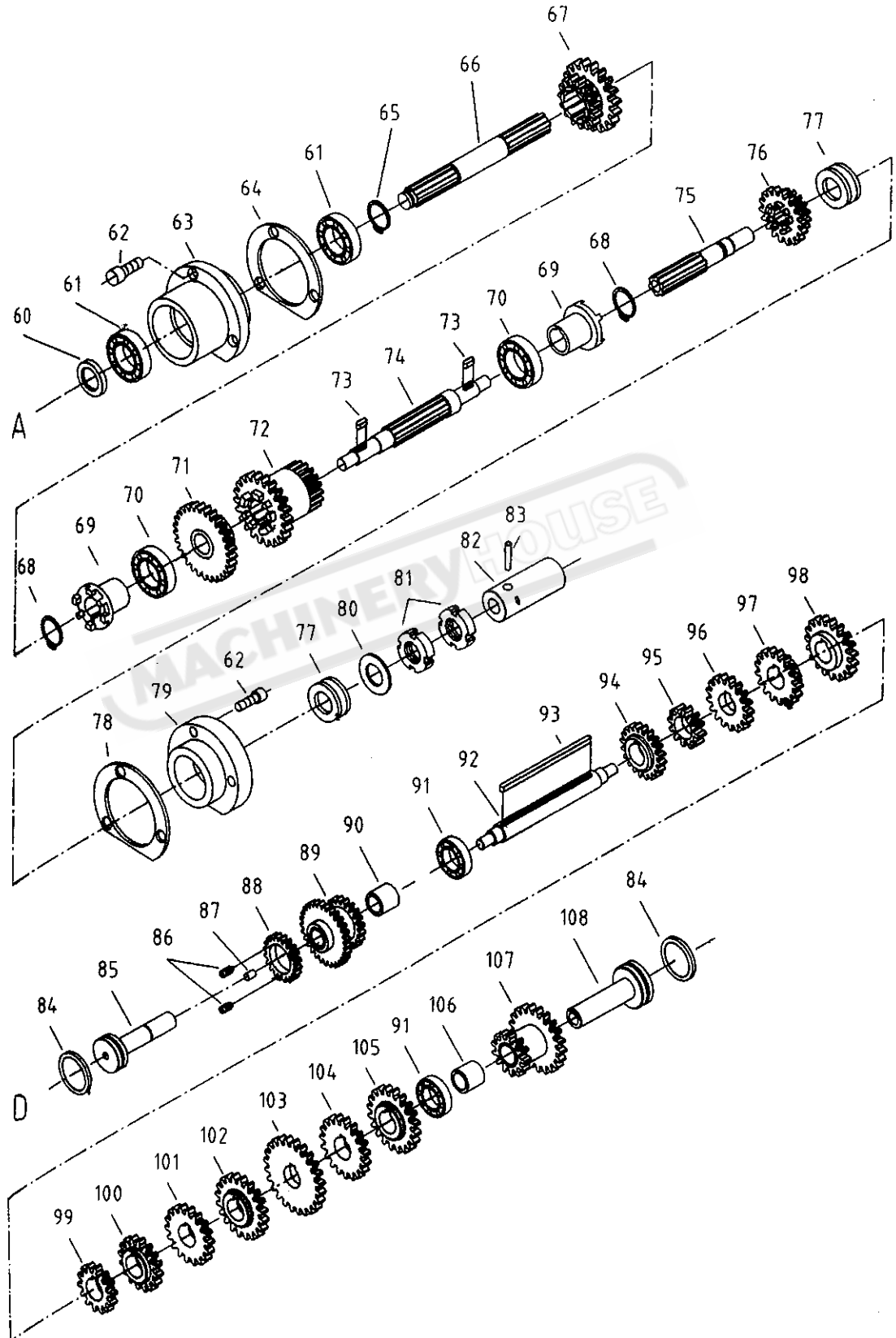


Index No.	Part No.	Description	Size	Qty.
17	C6240-30067	Fork Shifter		4
18	C6240-30070	Arm		1
19	GB879-86	Spring Pin	5 x 30	5
20	C6240-30082	Arm		2
21	C6240-30081	Bevel Gear		1
22	C6240-30088	Arm		1
23	GB70-85	Hex Socket Cap Screw	M6 x 45	10
24	C6240-30066	Front Cover		1
25	C6240-30084	Shaft		1
26	C6240-30085	Set Sleeve		1
27	GB819-85	Screw	M6 x 12	8
28	C6240-30083	Handle		3
29	C6240-30073	Washer		5
30	GB818-85	Screw	M8 x 12	5
31	C6240-30056	Name Plate		4
32	GB818-85	Screw	M3 x 6	14
33	GB308-89	Steel Ball	6.5	6
34	GB1096-79	Key	5 x 14	4
35	GB2089-80	Spring	1 x 5 x 20	6
36	GB77-85	Screw	M8 x 8	6
37	GB4141.14-84	Knob	BM10 x 50	4
38	C6240-30071	Lever		4
39	GB3452.1-82	Seal Ring	12.5 x 1.8	4
40	C6240-30074	Shaft(VII)		3
41	GB3452.1-82	Seal Ring	23.6 x 3.35	4
42	C6240-30087	Set Sleeve		1
43	GB79-85	Screw	M8 x 35	1
44	C6240-30077	Shaft		1
45	GB1096-79	Key	5 x 28	1
46	C6240-30080	Spacer		1
47	C6240-30078	Shaft Sleeve		1
48	GB117-86	Taper Pin	A3 x 12	1
49	C6240-30079	Selecting Dial		1
50	C6240-30055	Name Plate		1
51	C6240-30076	Hand Wheel		1
52	C6240-30091	Set Sleeve		1

Index	Part	Description	Size	Qty.
No.	No.			
53.....	C6240-30075.....	Set Sleeve.....		1
54.....	C6240-30072.....	Handle.....		1
55.....	GB118-86.....	Pin.....	6 x 55.....	2
56.....	C6240-30057.....	Name Plate.....		1
57.....	C6240-30097.....	Front Cover.....		1
58.....	GB818-85.....	Screw.....	M5 x 8.....	6
59.....	GB1160-79.....	Oil Sight Glass.....	A32.....	1

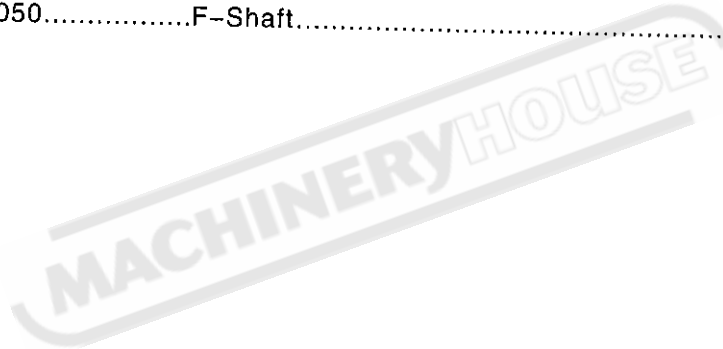
MACHINERYHOUSE

Gear Box Assembly

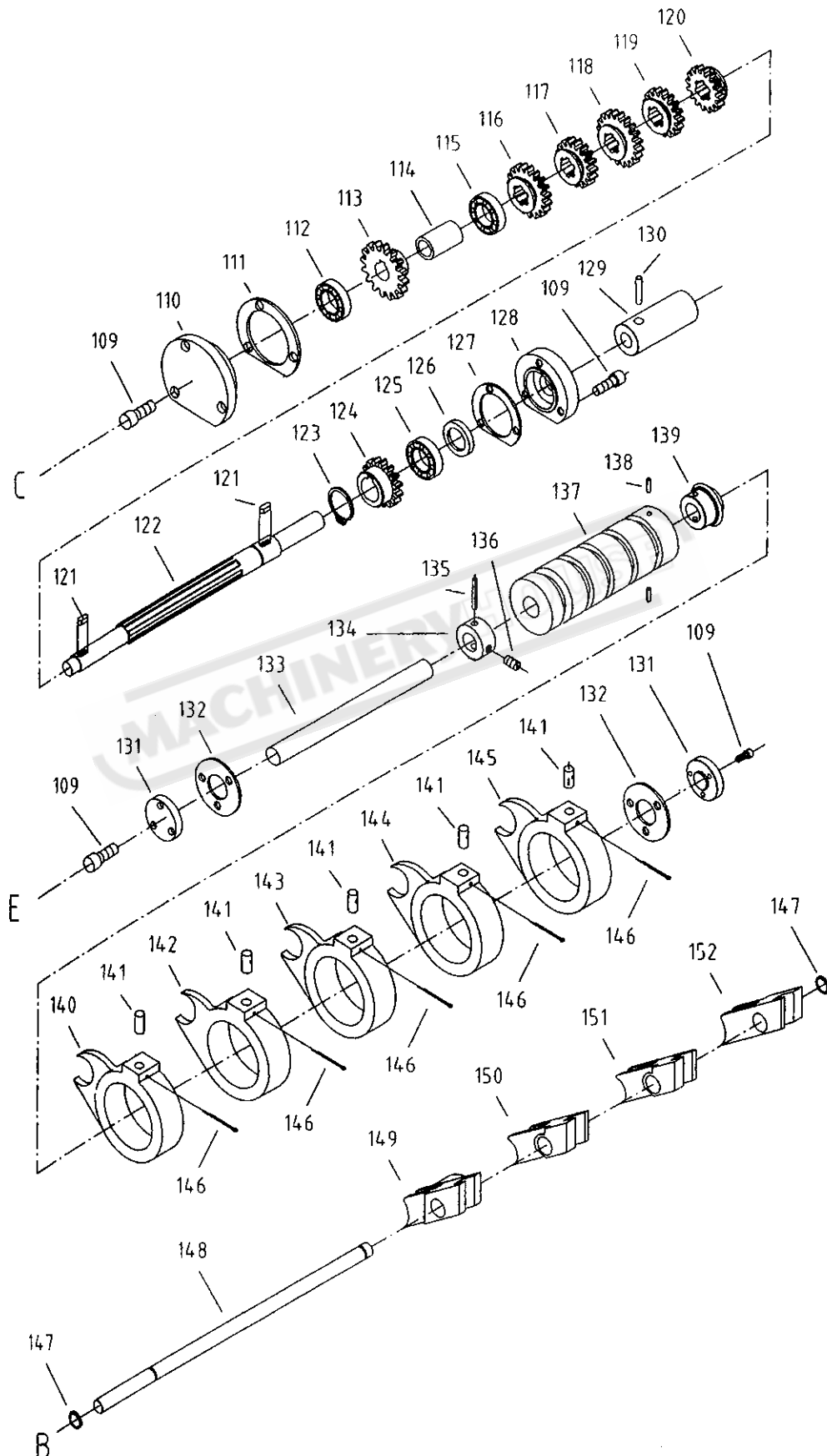


Index No.	Part No.	Description	Size	Qty.
60	GB9877.1-88	Seal Ring	25 × 47 × 7	1
61	GB/T276-94	Bearing	6005-2RS	2
62	GB70-85	Hex Socket Cap Screw	M6 × 16	6
63	C6240-30030	Bearing Cover		1
64	C6240-30031	Seal Washer		1
65	GB894.1-86	Snap Ring	25	1
66	C6240-30029A	Shaft		1
67	C6240-30032	Gear		1
68	GB894.1-86	Snap Ring	18	2
69	C6240-30033	Clutch		2
70	GB/T276-94	Bearing	6005	2
71	C6240-30034	Gear		1
72	C6240-30036	Gear		1
73	GB1096-79	Key	4 × 20	2
74	C6420-30035A	A-Shaft		1
75	C6240-30053	C-Shaft		1
76	C6240-30054	Gear		1
77	GB301-95	Bearing	51104	2
78	C6240-30052	Seal Washer		1
79	C6240-30051	Bearing Cover		1
80	C6240-30098	Washer		1
81	GB812-88	Round Nut	M20 × 1.5	2
82	C6240-30020	Connection Sleeve		1
83	GB117-86	Taper Pin	A6 × 35	1
84	GB3452.1-82	Seal Ring	33.5 × 3.35	2
85	C6240-30016	Gear Shaft		1
86	GB71-85	Screw	M6 × 8	2
87	GB119-86	Pin	A6 × 8	1
88	C6240-30017/2	Gear		1
89	C6240-30017/1	Gear		1
90	C6240-30092	Shaft Sleeve		1
91	GB/T276-94	Bearing	6203	2
92	C6240-30018	D-Shaft		1
93	C6240-30019	Key		1
94	C6240-30037	Gear		1
95	C6240-30038	Gear		1

Index No.	Part No.	Description	Size	Qty.
96	C6240-30039	Gear		1
97	C6240-30040	Gear		1
98	C6240-30041	Gear		1
99	C6240-30042	Gear		1
100	C6240-30043	Gear		1
101	C6240-30044	Gear		1
102	C6240-30045	Gear		1
103	C6240-30046	Gear		1
104	C6240-30047	Gear		1
105	C6240-30048	Gear		1
106	C6240-30093	Shaft Sleeve		1
107	C6240-30049	Gear		1
108	C6240-30050	F-Shaft		1



Gear Box Assembly

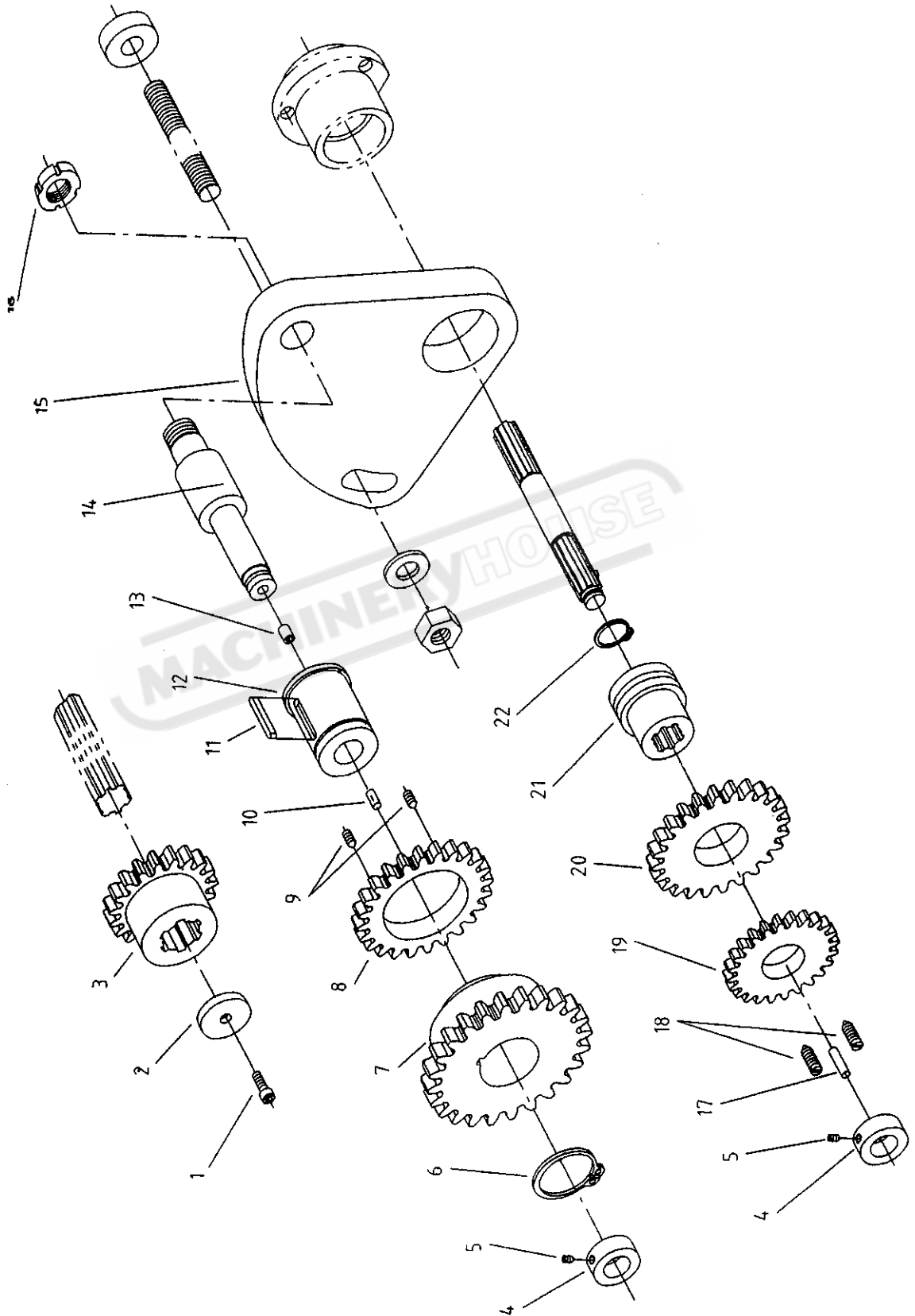


Index No.	Part No.	Description	Size	Qty.
109	GB70-85	Hex Socket Cap Screw	M6 x 12	12
110	C6240-30015	Bearing Cover		1
111	C6240-30014	Washer		1
112	GB/T276-94	Bearing	6003	1
113	C6240-30012	Gear		1
114	C6240-30011	Spacer		1
115	GB/T276-94	Bearing	6004	1
116	C6240-30028	Gear		1
117	C6240-30027	Gear		1
118	C6240-30026	Gear		1
119	C6240-30025	Gear		1
120	C6240-30024	Gear		1
121	GB1096-79	Key	6 x 20	2
122	C6240-30013	G-Shaft		1
123	GB894.1-86	Snap Ring	.25	1
124	C6240-30023	Gear		1
125	GB/T276-94	Bearing	6204	1
126	GB9877.1-88	Seal Ring	20 x 40 x 7	1
127	C6240-30021	Washer		1
128	C6240-30022	Bearing Cover		1
129	C6240-30096	Connection Sleeve		1
130	GB117-86	Taper Pin	A6 x 35	1
131	C6240-30094	Cover		2
132	C6240-30095	Washer		2
133	C6240-30010	Cam Shaft		1
134	C6240-30009	Spacer		1
135	GB879-86	Spring Pin	.5 x 40	1
136	GB78-85	Screw	M8 x 10	1
137	C6240-30008	Cam		1
138	GB879-86	Spring Pin	.5 x 16	2
139	C6240-30002	Bevel Gear		1
140	C6240-30007	Fork Shifter		1
141	GB119-86	Pin	.8 x 16	5
142	C6240-30006	Fork Shifter		1
143	C6240-30005	Fork Shifter		1
144	C6240-30004	Fork Shifter		1

Index No.	Part No.	Description	Size	Qty.
145.....	C6240-30003.....	Fork Shifter.....		1
146.....	GB91-86.....	Split Pin.....	2 x 30.....	5
147.....	GB3452.1-82.....	Seal Ring.....	12.5 x 1.8.....	2
148.....	C6240-30068.....	Shaft.....		1
149.....	C6240-30086.....	Arm.....		1
150.....	C6240-30089.....	Arm.....		1
151.....	C6240-30090.....	Arm.....		1
152.....	C6240-30069.....	Arm.....		1

MACHINERYHOUSE

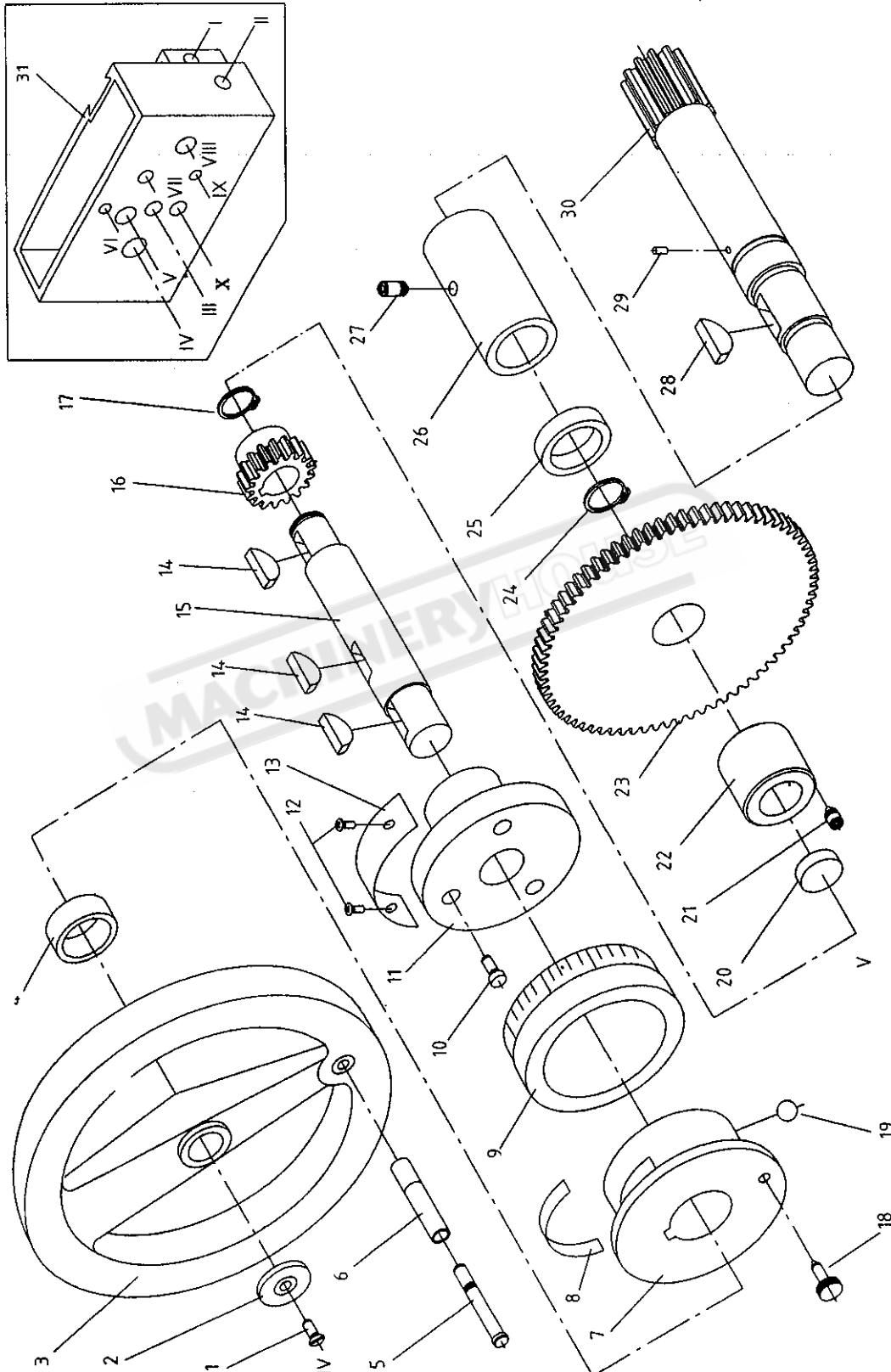
Change Gear Assembly



Change Gear Assembly

Index No.	Part No.	Description	Size	Qty.
1	GB70-85	Hex Socket Cap Screw	M8 x 16	1
2	C6240-20108	Washer		1
3	C6240-31001	Change Gear	Z=48	1
	C6240-31001(Metric)	Change Gear	Z=70	1
4	GB72-88	Screw	M6 x 8	2
5	C6136B-4028	Spacer		2
6	GB894.1-86	Snap Ring	45	1
7	C6240-31002-2	Change Gear	Z=66	1
	C6240-31002-2(Metric)	Change Gear	Z=77	1
8	C6240-31002-1	Change Gear	Z=57	1
	C6240-31002-1(Metric)	Change Gear	Z=50	1
9	GB71-85	Screw	M8 x 12	2
10	GB119-86	Pin	A6 x 12	1
11	GB1096-79	Key	6 x 35	1
12	C6136B-4100	Sleeve		1
13	GB155-89	Oil Cup	8	1
14	C6240-31003	Shaft		1
15	C6240-31004	Bracket		1
16	GB812-88	Round Nut	M24 x 1.5	1
17	GB119-86	Pin	A6 x 22	1
18	GB71-85	Screw	M8 x 22	2
19	C6240-31005-2	Change Gear	Z=42	1
	C6240-31005-2(Metric)	Change Gear	Z=51	1
20	C6240-31005-1	Change Gear	Z=57	1
	C6240-31005-1(Metric)	Change Gear	Z=50	1
21	C6240-31005-3	Spline Sleeve		1
22	GB894.1-86	Snap Ring	25	1

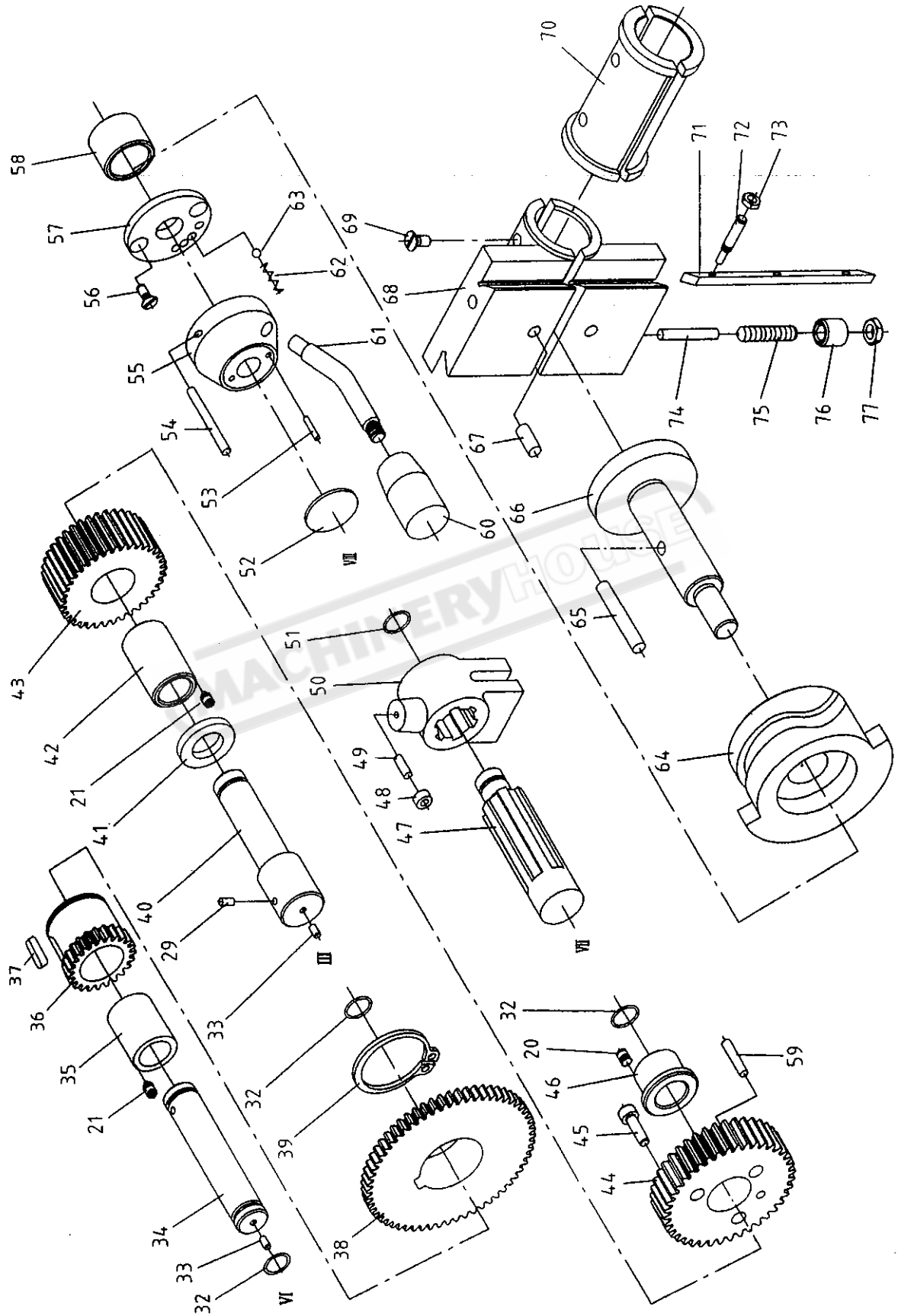
Apron Assembly



Apron Assembly

Index No.	Part No.	Description	Size	Qty.
1	GB68-85	Screw	M6 x 10	6
2	C6240-40006	Washer		1
3	C6240-40001	Hand Wheel		1
4	C6240-40005	Space Collar		1
5	C6240-60013	Hand Wheel Lever Stud		1
6	C6240-60013	Hand Wheel Lever		1
7	C6240-40010	Plate		1
8	C6240-40003	Spring		1
9	C6240-40002	Dial Ring		1
10	GB70-85	Hex Cap Screw	M6 x 12	8
11	C6240-40007	Flange		1
12	GB818-86	Screw	M3 x 5	14
13	C6240-40011	Name Plate		1
14	GB1099-79	Half-Round Key	5 x 7.5 x 19	3
15	C6240-40004	Shaft		1
16	C6240-40008	Gear		1
17	GB894-76	C-Ring	17	1
18	C6240-40009	Screw		1
19	GB308-89	Steel Ball	5.556	1
20	C6240-40012	Plug		1
21	GB71-85	Set Screw	M6 x 8	8
22	C6240-40013	Sleeve		1
23	C6240-40014	Gear		1
24	GB894-76	C-Ring	25	1
25	C6240-40015	Washer		1
26	C6240-40017	Sleeve		1
27	GB71-85	Set Screw	M6 x 12	2
28	GB1099-79	Half-Round Key	6 x 9 x 22	1
29	GB119-86	Cylinder Plug	3 x 6	4
30	C6240-40018	Gear Shaft		1
31	C6240-40016	Housing		1

Apron Assembly

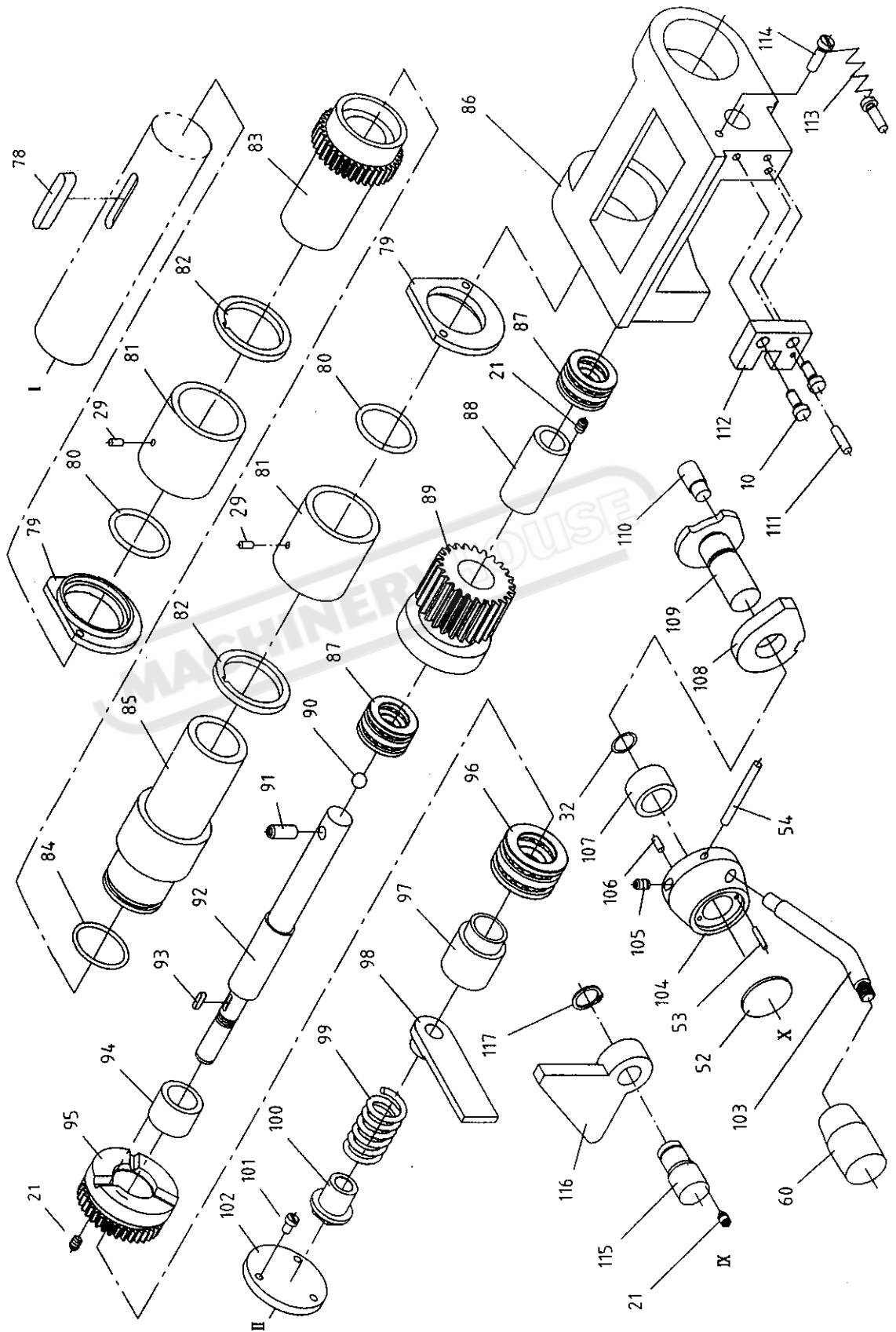


Index No.	Part No.	Description	Size	Qty.
32	GB3452.9-82	Seal Ring	17 × 1.8	4
33	C6240-40021	Plug		2
34	C6240-40022	Shaft		1
35	C6240-40023	Shaft Sleeve		1
36	C6240-40020	Gear		1
37	GB1096-79	Flat Key	6 × 20	1
38	C6240-40019	Gear		1
39	GB894-76	C-Ring	40	1
40	C6240-40026	Shaft		1
41	C6240-40027	Washer		1
42	C6240-40028	Sleeve		1
43	C6240-40029	Gear		1
44	C6240-40024	Turbine Gear		1
45	GB70-85	Hex Socker Cap Screw	M6 × 20	3
46	C6240-40025	Sleeve		1
47	C6240-40030	Spline Shaft		1
48	C6240-40032	Slide Block		1
49	GB119-86	Cylinder Plug	5 × 14	1
50	C6240-40031	Driving Fork		1
51	GB3452.9-82	Seal Ring	11.8 × 1.8	1
52	C6240-40033	Plug		2
53	GB119-86	Pin	3 × 16	2
54	GB117-86	Pin	5 × 50	2
55	C6240-40034	Lever Base		1
56	GB68-85	Screw	M5 × 10	2
57	C6240-40035	Washer		1
58	C6240-40036	Spacing Collar		1
59	GB117-86	Pin	5 × 25	1
60	GB4141.14-84	Lever Knob	M10 × 50	3
61	C6240-40079	Lever Rod		1
62	GB1239.1-89	Spring	1.2 × 8 × 16	1
63	GB308-89	Steel Ball	9.525	1
64	C6240-40037	Cam		1
65	GB118-86	Pin	8 × 50	1
66	C6240-40038	Shaft		1
67	GB119-86	Cylinder Plug	8 × 16	2

Index No.	Part No.	Description	Size	Qty.
68	C6240-40039	Body		1
69	GB68-85	Screw	M6 x 12	4
70	C6240-40040	Thread Nut		1
70	C6240-40040(Metric)	Thread Nut		1
71	C6240-40086	Gib		1
72	C6240-40087	Screw		3
73	GB6172-82	Nut	M6	3
74	GB119-86	Cylinder Plug	6 x 40	1
75	GB78-85	Screw	M8 x 40	1
76	C6240-40041	Sleeve		1
77	GB6172-82	Nut	M8	2

MACHINERYHOUSE

Apron Assembly

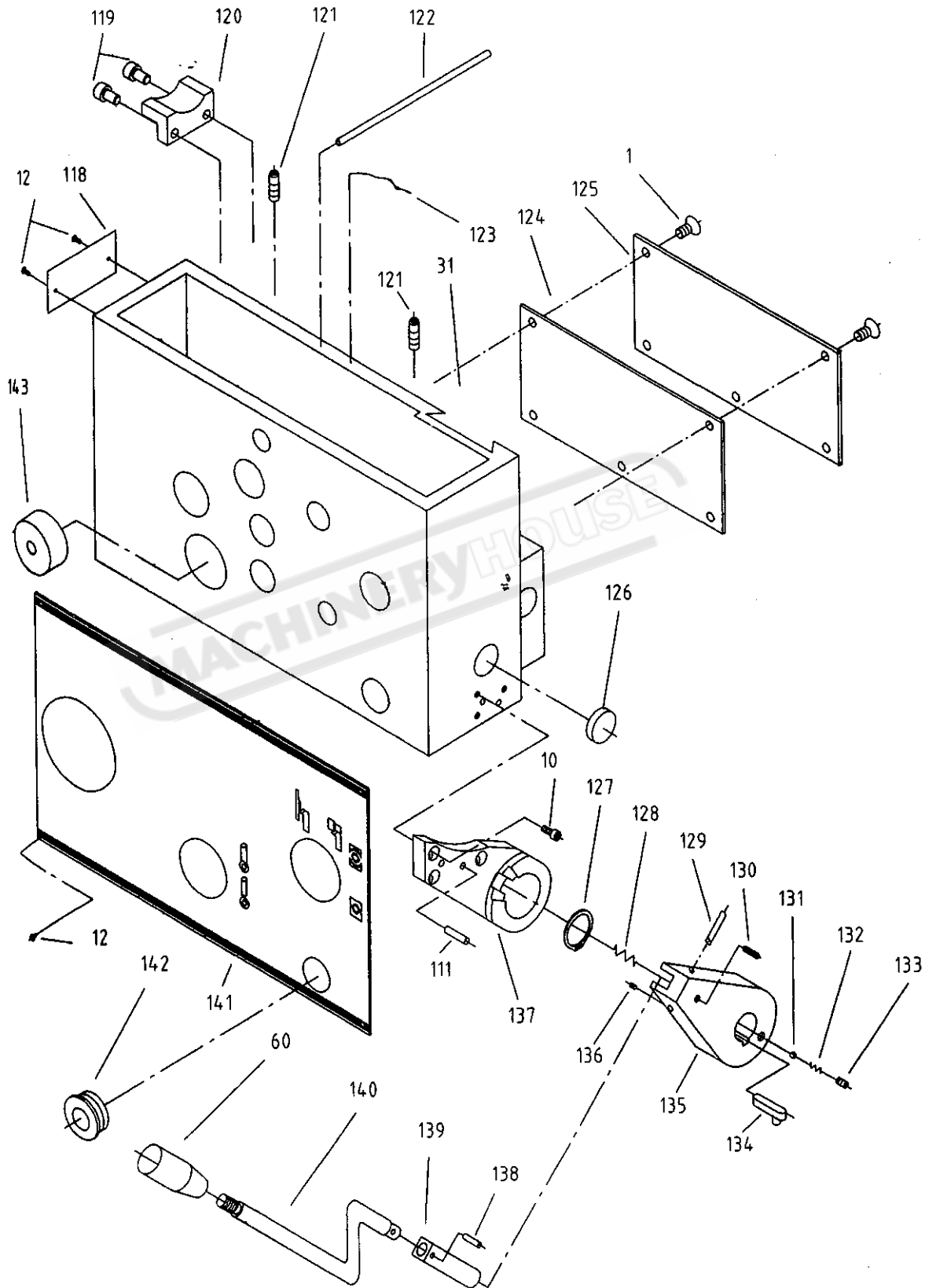


Index Part		Description	Size	Qty.
No.	No.			
78	C6240-40045	Key		1
79	C6240-40043	Oil Seal		2
80	GB3452.9-82	Seal Ring	38 × 3.55	2
81	C6240-40044	Sleeve		1
82	C6240-40047	Washer		2
83	C6240-40046	Gear Shaft		1
84	GB3452.9-82	Seal Ring	35.5 × 2.65	1
85	C6240-40048	Sleeve		1
86	C6240-40065	Cradle		1
87	GB301-95	Bearing	51103	2
88	C6240-40062	Sleeve		1
89	C6240-40061	Worm		1
90	GB308-89	Stell Ball	8.73	3
91	GB71-85	Screw	M8 × 20	1
92	C6240-40070	Shaft		1
93	GB1096-79	Flat Key	3 × 8	1
94	C6240-40064	Sleeve		1
95	C6240-40063	Gear		1
96	GB301-95	Bearing	51105	1
97	C6240-40066	Sleeve		1
98	C6240-40067	Driving Fork		1
99	C6240-40068	Spring		1
100	C6240-40069	Adjusting Screw		1
101	GB65-85	Screw	M5 × 8	1
102	C6240-40042	Cover		1
103	C6240-40080	Lever Bod		1
104	C6240-40059	Lever Base		1
105	GB71-85	Screw	M6 × 10	2
106	GB119-86	Cylinder Plug	4 × 10	1
107	C6240-40058	Sleeve		1
108	C6240-40056	Support		1
109	C6240-40060	Shaft		1
110	C6240-40057	Cylinder Plug		1
111	GB117-86	Pin	5 × 20	5
112	C6240-40055	Plate		1
113	C6240-40051	Spring		1

Index Part		Description	Size	Qty.
No.	No.			
114.....	GB68-85.....	Screw.....	M6 x 20.....	1
115.....	C6240-40086.....	Shaft.....		1
116.....	C6240-40087.....	Lock Block.....		1
117.....	GB894-76.....	C-Ring.....	16.....	1

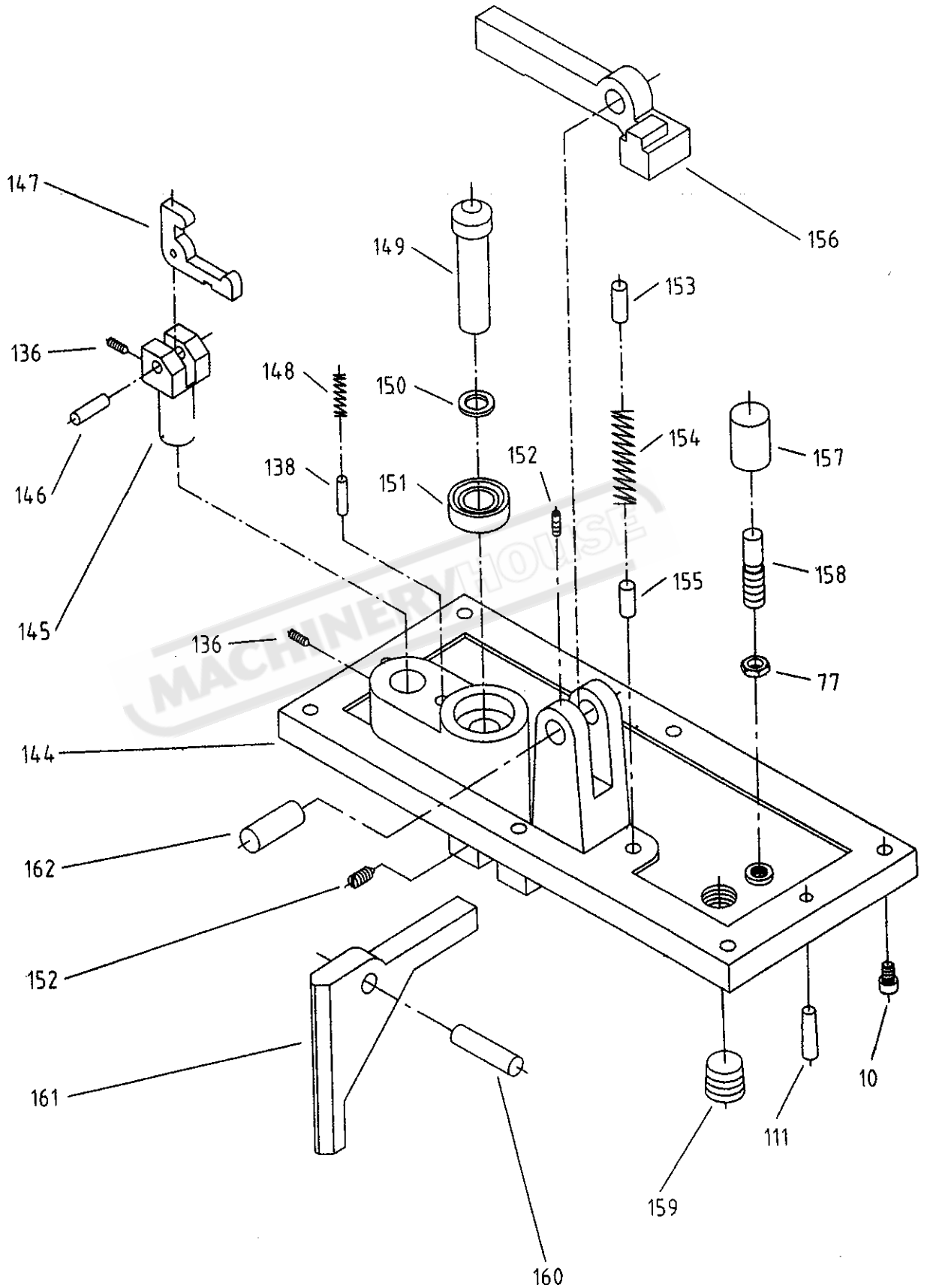
MACHINERYHOUSE

Apron Assembly



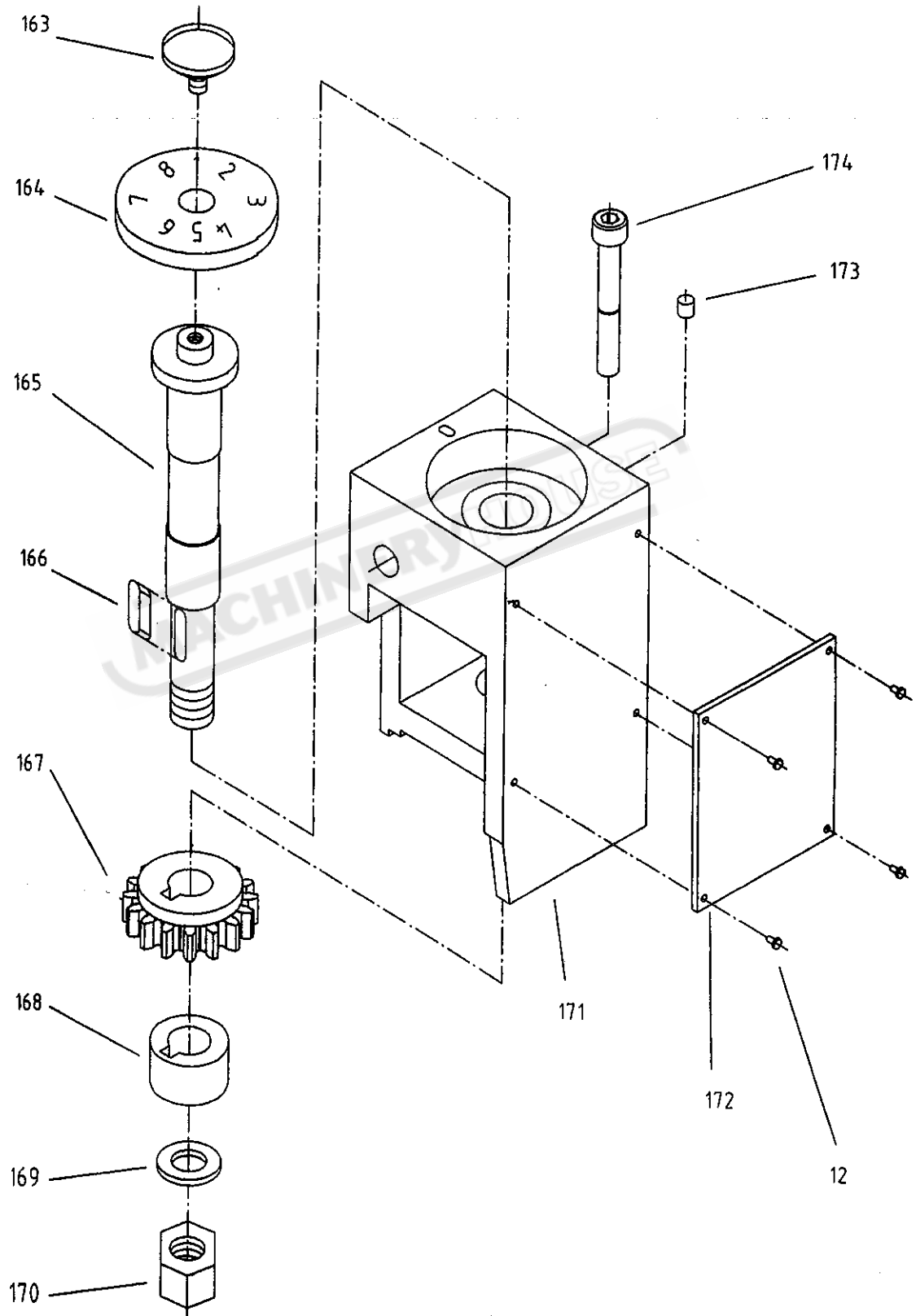
Index	Part	Description	Size	Qty.
No.	No.			
118	C6240-40082	Name Plate		1
119	GB70-85	Screw	M6 x 10	2
120	C6240-40083	Support		1
121	GB71-85	Screw	M6 x 20	2
122	C6240-40085	Vitta		2
123		Wool Line		
124	C6240-40049	Rubber Gasket		1
125	C6240-40050	Behind Cover		1
126	C6240-40054	Plug		1
127	GB894-76	C-Ring	.35	1
128	GB1239.1-89	Spring	1.5 x 10 x 16	1
129	GB119-86	Cylinder Plug	.5 x 30	1
130	GB71-85	Screw	M6 x 16	1
131	GB308-89	Steel Ball	.6	1
132	GB1239.1-89	Spring	1 x 5 x 18	1
133	GB78-85	Screw	M8 x 10	1
134	C6240-40090	Key		1
135	C6240-40088	Lever Base		1
136	GB71-85	Screw	M4 x 6	3
137	C6240-40089	Positioning Block		1
138	GB119-86	Cylinder Plug	.4 x 15	2
139	C6240-40091	Lever Head		1
140	C6240-40092	Lever Rod		1
141	C6240-40081	Name Plate		1
142	GB1160.1-89	Oil Sight Glass	A16	1
143	C6240-40100	Plug		1

Apron Assembly



Index Part		Description	Size	Qty.
No.	No.			
144	C6240-40073	Cover		1
145	GB119-86	Cylinder Plug	6 × 12	1
146	GB119-86	Cylinder Plug	5 × 16	1
147	C6240-40077	Lever		1
148	GB1239.1-89	Spring	0.5 × 5 × 20	1
149	C6240-40076	Pin		1
150	GB3452.9-82	Seal Ring	9 × 1.8	1
151	GB9877.1-88	Seal Ring	B12 × 24 × 5	1
152	GB71-85	Screw	M5 × 6	2
153	GB119-86	Cylinder Plug	6 × 16	1
154	GB1239.1-89	Spring	1.2 × 10 × 42	1
155	C6240-40078	Support Pin		1
156	C6240-40074	Lever		1
157	C6240-40072	Rubber Pad		1
158	C6240-40071	Screw		1
159	GH-1340-06-35	Oil Plug		1
160	GB119-86	Cylinder Plug	8 × 30	1
161	C6240-40084	Touch Block		1
162	C6240-40075	Pin		1

Apron Assembly



Index Part		Description	Size	Qty.
No.	No.			
163.....	C6240-40097.....	Screw.....		1
164.....	C6240-40096.....	Dial Plate.....		1
165.....	C6240-40098.....	Shaft.....		1
166.....	GB1096-79.....	Key.....	4 x 16.....	1
167.....	C6240-40094.....	Gear.....		1
168.....	C6240-40095.....	Sleeve.....		1
169.....	GB97.2-85.....	Washer.....	12.....	1
170.....	GB6171-85.....	Nut.....	M12 x 1.25.....	1
171.....	C6240-40093.....	Housing.....		1
172.....	C6240-40099.....	Name Plate.....		1
173.....	GB1155-79.....	Oil cup.....	φ 6.....	1
174.....	GB70-85.....	Screw.....	M8 x 60.....	1

MACHINERYHOUSE

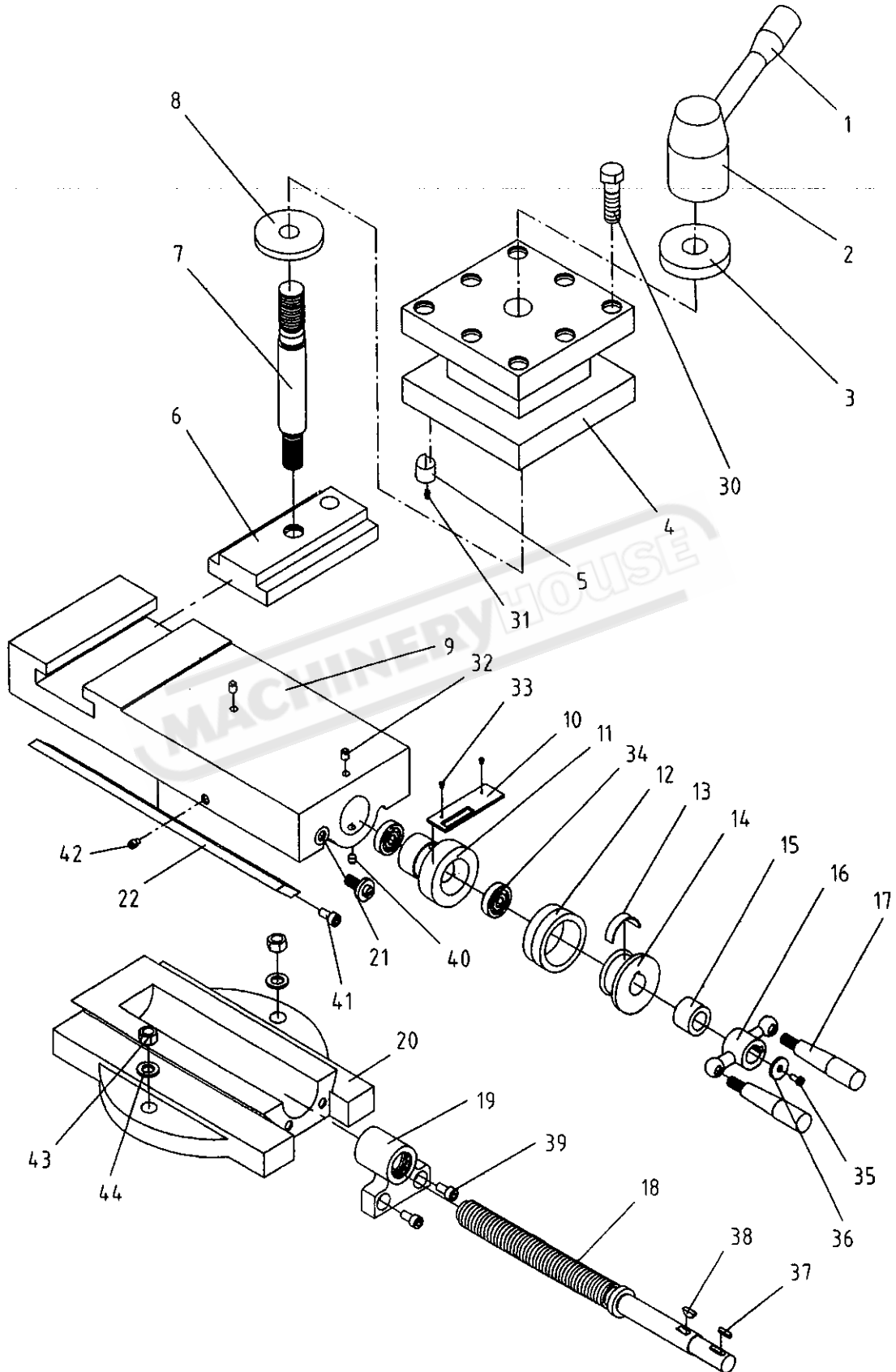
Carriage & Cross Slide Assembly

Index	Part	Description	Size	Qty.
No.	No.			
1	C6240-50055/1	Cavalry		1
2	C6240-50055/2	Latex		1
3	C6240-50055	Scraper		1
4	C6240-50043	Cross Slide		1
5	C6240-50027	Screw		2
6	C6240-50022	Sleeve		1
7	C6240-50025	Screw		2
8	C6240-50020	Washer		2
9	C6240-50019	Flange		1
10	C6240-50039	Nut		1
	C6240-50039(Metric)	Nut		1
11	C6240-50040	Washer		1
12	C6240-50041	Wedge		1
13	C6240-50042	Nut		1
	C6240-50042(Metric)	Nut		1
14	C6240-50010	Gib		1
15	C6240-50021	Feed Screw		1
	C6240-50021(Metric)	Feed Screw		1
16	C6240-50013/1	Handle Shaft		1
17	C6240-50013/2	Handle Base		1
18	C6240-50032	Handle Base		1
19	C6240-50035	Sleeve		1
20	C6240-50033	Inner Ring Dial		1
21	C6240-50031	Screw		1
22	C6240-50004	Outer Ring Doal		1
	C6240-50004(Metric)	Outer Ring Doal		1
23	C6240-50057	Name Plate		1
24	C6240-50028	Flange		1
	C6240-50028(Metric)	Flange		1
25	C6240-50037	Shaft Gear		1
26	C6240-50036	Slide Key		1
27	C6240-50059/1	Latex		1
28	C6240-50059/2	Cavalry		1
29	C6240-50059	Scraper(Left)		1

Index Part		Description	Size	Qty.
No.	No.			
30	C6240-50057/1	Latex		1
31	C6240-50057/2	Cavalry		1
32	C6240-50057	Scrapper(Left)		1
33	C6240-50030	Spring Leaf		1
34	C6240-50001	Saddle		1
35	C6240-50063	Plate		1
36	C6240-50062	Pressure Plate		1
37	C6240-50038	Front Press Plate(Left)		1
38	C6240-50053	Name Plate		1
39	C6240-50058	Pressure Plate		1
40	C6240-50046	Front Press Plate(Right)		1
41	C6240-50052	Oil Plug		1
42	C6240-50050	Name Plate		1
43	C6240-50049	Screw		1
44	C6240-50051/1	Latex		1
45	C6240-50051/2	Cavalry		1
46	C6240-50051	Scrapper(Right)		1
47	C6240-50044	Plate		1
48	C6240-50045	Pressure Plate		1
49	C6240-50048/2	Protection Cover		1
50	C6240-50048/1	Screw		1
51	C6240-50048	Protection Block		1
52	C6240-50047/2	Cavalry		1
53	C6240-50047/1	Latex		1
54	C6240-50047	Scrapper(Right)		1
55	GH-1340A-14-03	Lamp Base		1
56	C6240-50060	Copper Pipe		2
57	C6240-50061	Oil Reservoir		2
58	C6240-50064	Cover		2
60	GB1155-89	Oil Cup	10	3
61	GB70-85	Hex Socket Cap Screw	M10 x 20	3
62	GB818-86	Screw	M6 x 16	12
63	GB79-85	Hex Socket Cap Screw	M8 x 12	1
64	GB1155-89	Oil Cup	6	1
65	GB70-85	Hex Socket Cap Screw	M6 x 35	4
66	GB118-86	Pin	5 x 50	4

Index	Part	Description	Size	Qty.
No.	No.			
67	GB301-95	Bearing	51103	2
68	GB812-76	Round Nut	M16 × 1.5	2
69	GB819-85	Screw	M5 × 12	1
70	GB891-86	Retaining Ring	B22	1
71	GB308-89	Steel Ball	6	1
72	GB1239.1-89	Spring	0.5 × 5 × 12	1
73	GB818-86	Screw	M3 × 5	2
74	GB1155-89	Oil Cup	8	1
75	GB70-85	Hex Socket Cap Screw	M8 × 20	4
77	GB1096-79	Key	8	1
78	GB1098-79	Half Round Key	5 × 16	1
79	GB118-76	Pin	8 × 16	2
80	GB70-85	Hex Socket Cap Screw	M12 × 50	4
81	GB863.2-86	Rivet	3 × 5	2
82	GB119-86	Pin	8 × 20	1
83	GB70-85	Hex Socket Cap Screw	M10 × 50	4
84	GB3452.9-82	Seal Ring	11.8 × 1.8	1
85	GB78-85	Screw	10 × 30	4
86	GB70-85	Hex Socket Cap Screw	M12 × 40	4
87	GB170-86	Nut	M10	4
88	GB70-85	Hex Socket Cap Screw	M5 × 16	1
89	GB70-85	Hex Socket Cap Screw	M6 × 16	2
90		Wool Line		
91	GB301-95	Bearing	51104	1

Four Way Tool Post & Compound Slide Assembly



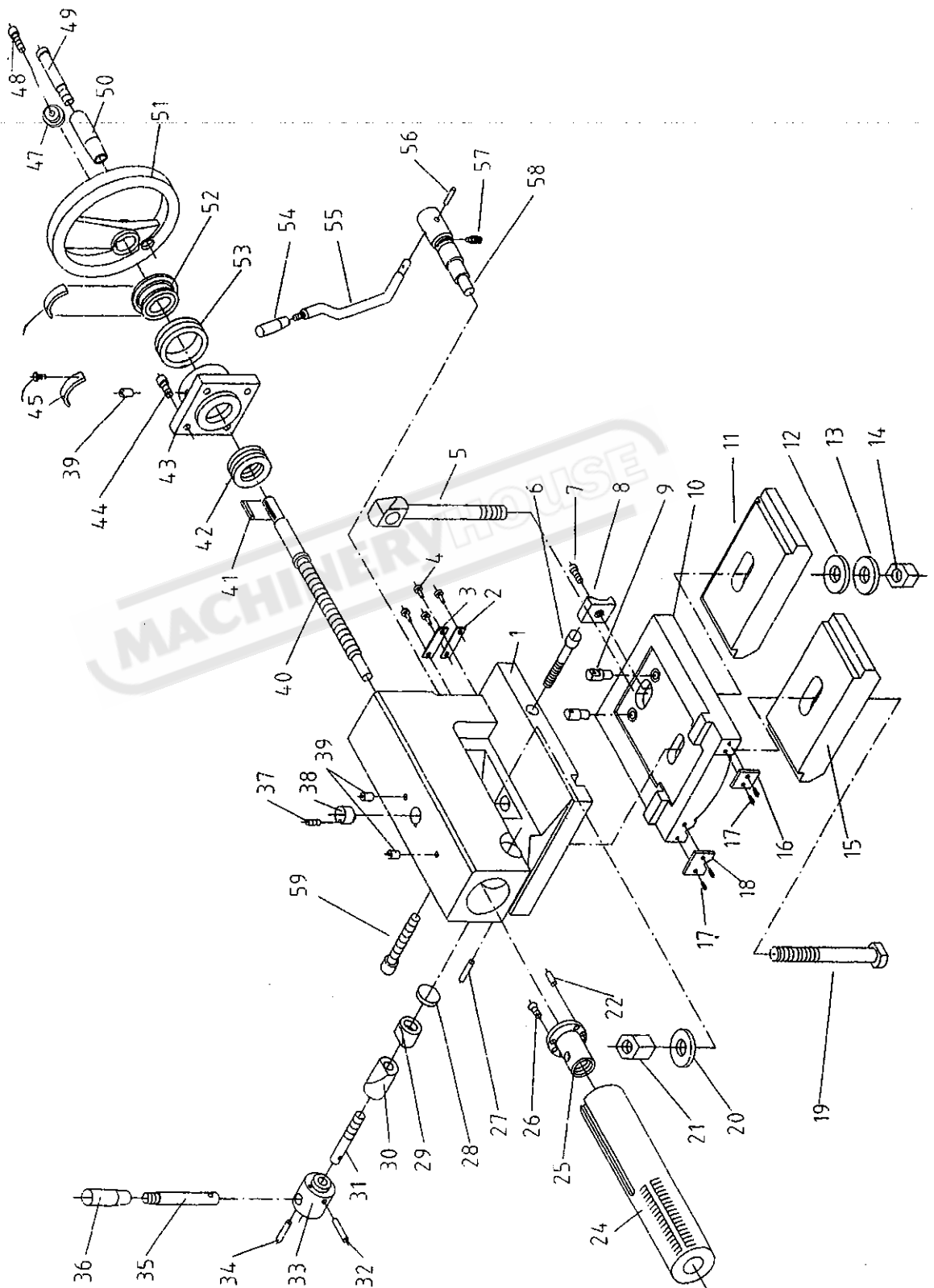
Four Way Tool Post & Compound Slide Assembly

Index No.	Part No.	Description	Size	Qty.
1	C6240-50065/2	Handle Shaft		1
2	C6240-50065/1	Handle Base		1
3	C6240-50006	Sleeve		1
4	C6240-50003	Toolpost		1
5	C6240-50023	Positioning Pin		1
6	C6240-50002	Locking Block		1
7	C6240-50005	Shaft		1
8	C6240-50004	Washer		1
9	C6240-50008	Top Slide		1
10	C6240-50012	Name Plate		1
11	C6240-50011	Sleeve		1
	C6240-50011(Metric)	Sleeve		1
12	C6240-50013	Outer Ring Dial		1
	C6240-50013(Metric)	Outer Ring Dial		1
13	C6240-50014	Spring Leaf		1
14	C6240-50017	Innar Ring Dial		1
15	C6240-50016	Sleeve		1
16	C6240-50015	Handle Base		1
17	C6240-50018	Handle		1
18	C6240-50007	Lead Screw		1
	C6240-50007(Metric)	Lead Screw		1
19	C6240-50009	Nut		1
	C6240-50009(Metric)	Nut		1
20	C6240-50024	Tool Post Base		1
21	C6240-50025	Screw		1
22	C6240-50026	Gib		1
30	GB85-88	Square Head Screw	M16 x 50	8
31	GB1239.1-89	Spring	1 x 7 x 12	1
32	GB1155-89	Oil Cup	6	2
33	GB818-86	Screw	M3 x 5	2
34	GB301-95	Bearing	51103	2
35	GB819-85	Screw	M5 x 12	1
36	GB891-86	Retaining Ring	B22	1
37	GB1096-79	Key	5 x 10	1

Index	Part	Description	Size	Qty.
No.	No.			
38.....	GB1098-79.....	Half Round Key.....	5 x 16.....	1
39.....	GB79-85.....	Hex Socket Cap Screw.....	M8 x 16.....	2
40.....	GB78-85.....	Hex Socket Cap Screw.....	M8 x 10.....	1
41.....	GB70-85.....	Hex Socket Cap Screw.....	M8 x 30.....	1
42.....	GB79-85.....	Hex Socket Cap Screw.....	M8 x 12.....	1
43.....	GB6170-85.....	Nut.....	M12.....	2
44.....	GB95-85.....	Washer.....	M12.....	2

MACHINERYHOUSE

Tailstock Assembly



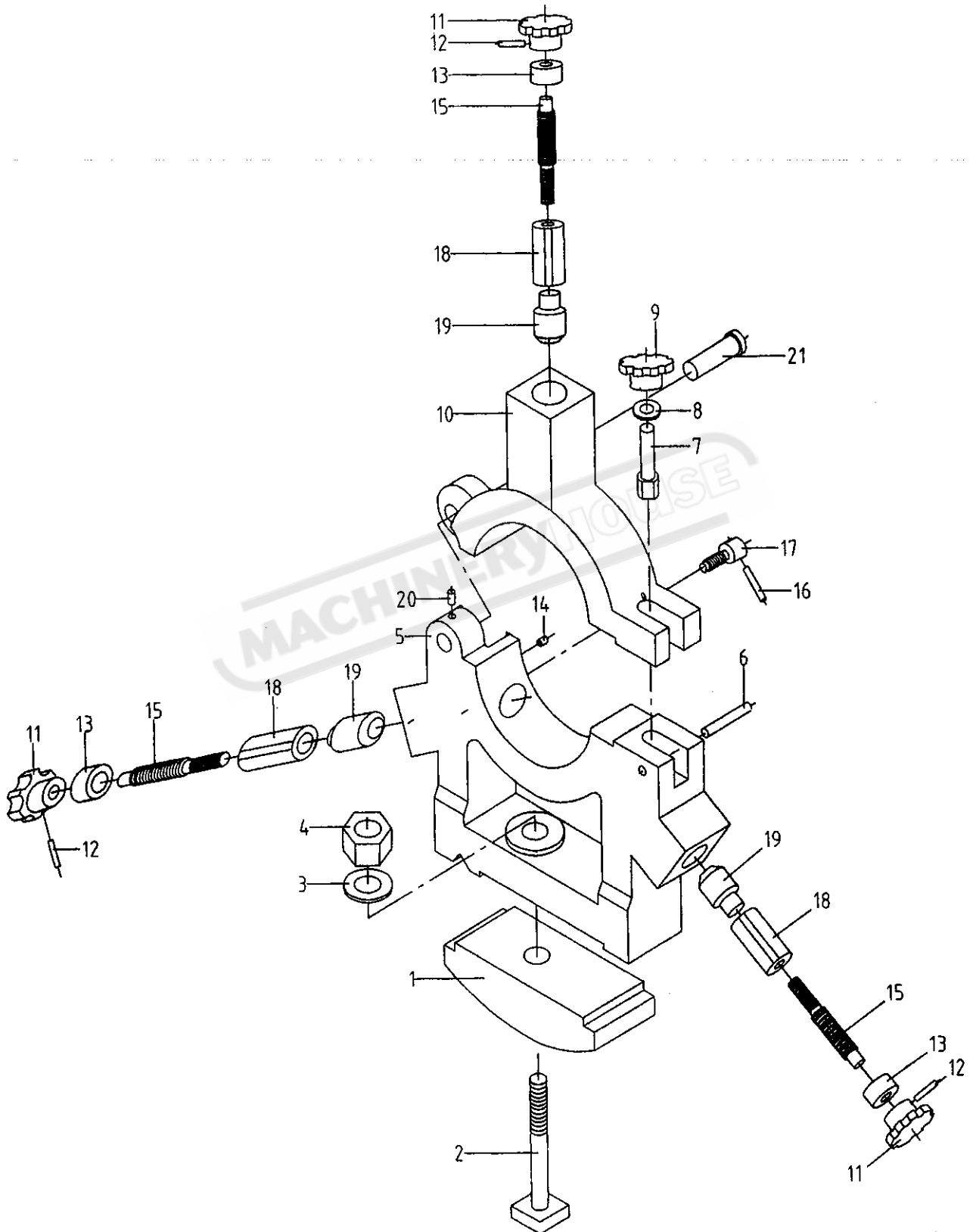
Tailstock Assmly

Index	Part	Description	Size	Qty.
No.	No.			
1	C6240-60001	Tailstock Body		1
2	GH-1340A-08-23	Name Plate		1
3	GH-1340A-08-22	Name Plate		1
4	GB818-85	Screw	M3 x 5	6
5	C6136B-6020	Compression Screw		1
6	C6136B-6015	Hex Socket Cap Screw		1
7	GB70-85	Hex Socket Captew	M8 x 40	1
8	C6136B-6019	Slash Poard		1
9	C6136B-6014	Tool Post PIN		2
10	C6136B-6024	Tail stock Bsse		1
11	C6136B-6018	Tail stock Clamp Plate		1
12	GB850-76	Washer	20	1
13	GB849-76	Washer	20	1
14	GB6170-86	Nut	M20	1
15	C6136B-6023	Tail stock Clamp Plate		1
16	C6136B-6025	Scrapper		1
17	GB818-85	Screw	5 x 12	4
18	C6136B-6026	Scrapper		1
19	C6145W-60017	Hex Cap Bolt		1
20	GB97.1-85	Washer	20	1
21	GB56-88	Nut	M20	1
22	GB117-86	Taper Pin	4 x 20	1
24	C6240-60002	Bushing		1
25	C6240-60005	Nut		1
26	GB68-85	Screw	M6 x 16	1
27	GB119-86	Pin	5 x 20	1
28	C6240-60022	Cover		1
29	C6240-60023	Short Compression Sleeve		1
30	C6240-60025	Long Compression		1
31	C6240-60024	Screw Rod		1
32	GB117-86	Taper Pin	5 x 50	1
33	C6240-60026	Lever Base		1
34	GB117-86	Taper Pin	4 x 30	1

Tailstock Assmby

Index No.	Part No.	Description	Size	Qty.
35	C6240-60028	Handle		1
36	GB4141.14-84	Knob	BM10 × 50	1
37	GB71-85	Screw	M6 × 8	2
38	C6240-60004	Key		1
39	GB1155-89	Oiler	6	3
40	C6240-60003	Screw		1
41	GB1096-79	Key	6 × 36	1
42	GB/T301-95	Bearing	51205	1
43	C6240-60006	Face plate		1
44	GB70-85	Hex Socket Cap Screw	M8 × 20	4
45	C6240-60007	Name Plate		1
46	C6240-60009	Spring Leaf		1
47	C6240-60012	Retainer Ring		1
48	GB818-85	Screw	M8 × 14	1
49	C6240-60013-1	Handle Rod		1
50	C6240-60013-2	Handle Sleeve		1
51	C6240-60011	Handle Wheel		1
52	C6240-60010	Inner Ring		1
53	C6240-60008	Dial Ring		1
54	GB4141.14-84	Knob	M12 × 60	1
55	C6136B-6007	Handle		1
56	GB117-86	Taper Pin	5 × 35	1
57	GB75-85	Screw	M8 × 12	1
58	C6136B-6021	Push Rod		1
59	GB70-85	Hex Socket Cap Screw	M12 × 90	1

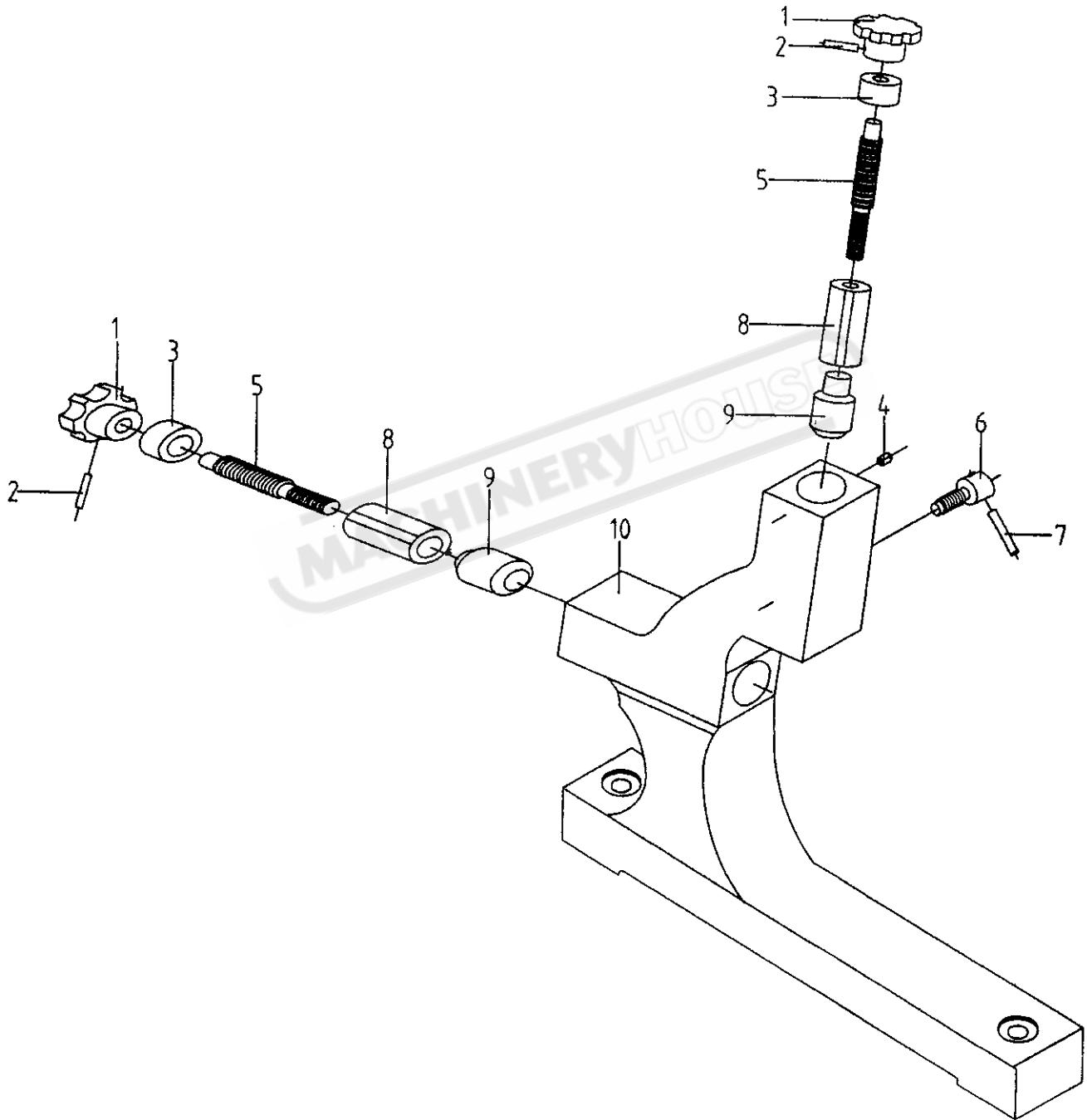
Steady Rest Assembly



Steady Rest Assembly

Index	Part	Description	Size	Qty.
No.	No.			
1	C6240-70001	Pressure Plate		1
2	C6240-70002	Screw Rod		1
3	GB97.1-85	Washer	20	1
4	GB56-88	Nut	M20	1
5	C6240-70003	Lower Body		1
6	GB119-86	Pin	8 × 50	1
7	C6240-70004	Screw Rod		1
8	GB97.1-85	Washer	12	1
9	GB4141.29B	Radial grip	M12 × 50	1
10	C6240-70005	Upper Body		1
11	GB4141.29A	Radial grip	12 × 50	3
12	GB119-86	Pin	6 × 30	3
13	C6240-70006	Nut		3
14	GB71-85	Screw	M8 × 12	3
15	C6240-70007	Screw Rod		3
16	GB119-86	Pin	6 × 40	3
17	C6240-70008	Stop Rod		3
18	C6240-70009	Slide Sleeve		3
19	C6240-70010	Push Head		3
20	GB71-85	Screw	M6 × 12	1
21	C6240-70011	Shaft		1

Follow Rest Assembly

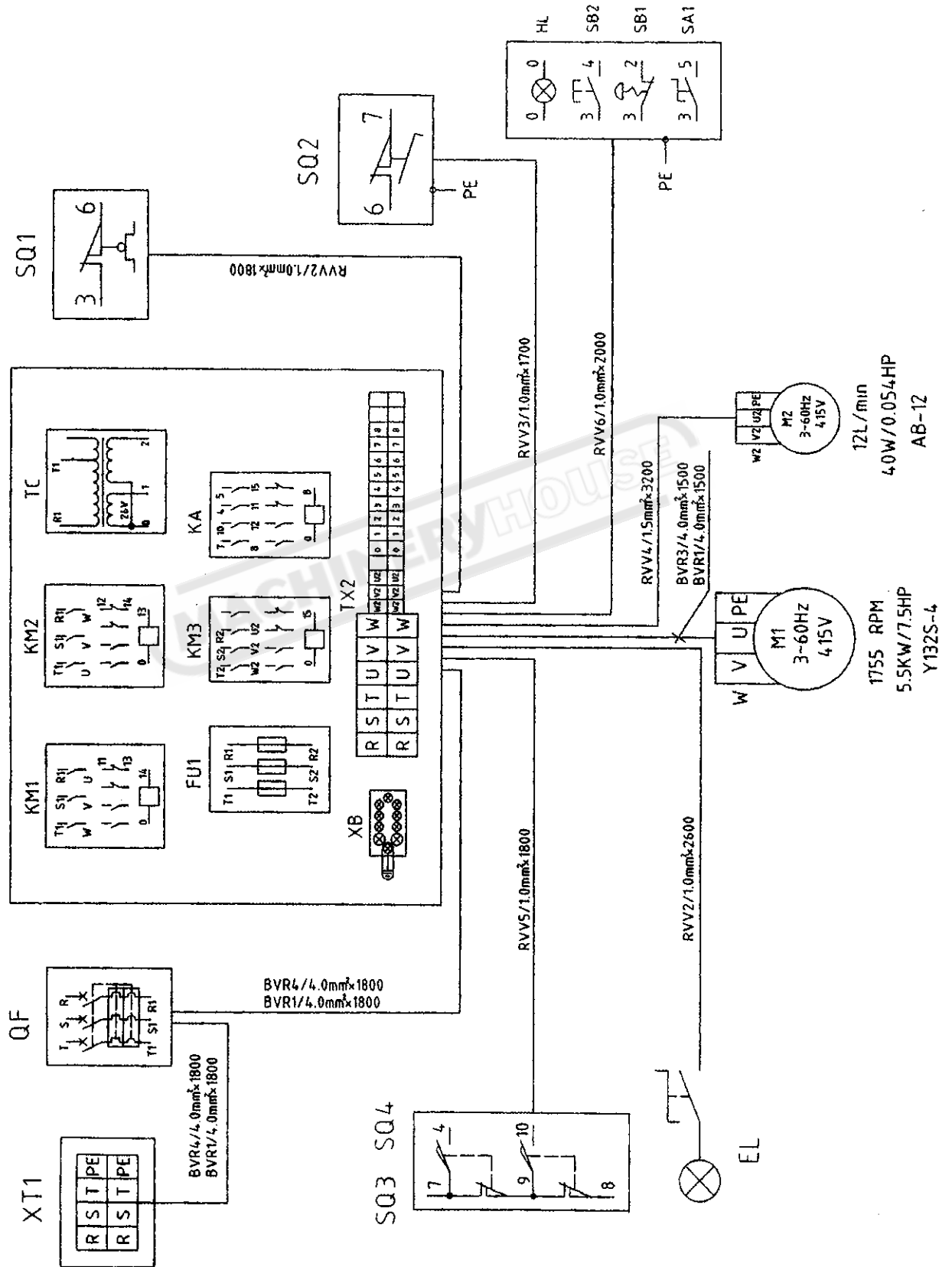


Follow Rest Assembly

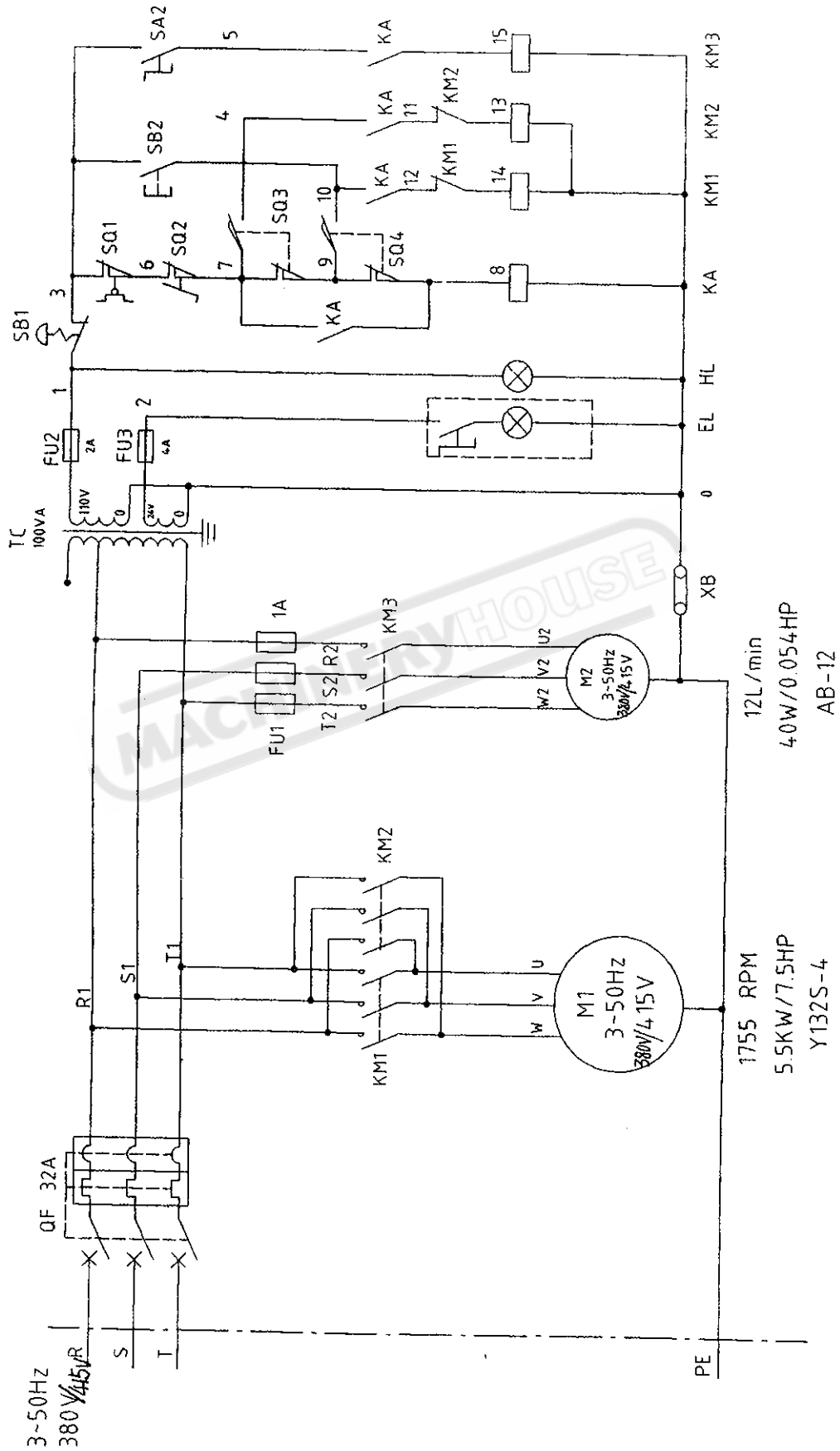
Index Part		Description	Size	Qty.
No.	No.			
1	GB4141.29A	Radial grip	12 × 50	2
2	GB119-76	Pin	6 × 30	2
3	C6240-70006	Nut		2
4	GB71-85	Screw	M8 × 10	2
5	C6240-70007	Screw Rod		2
6	C6240-70008	Stop Rod		2
7	GB119-76	Pin	6 × 40	2
8	C6240-70009	Slide Sleeve		2
9	C6240-70010	Push Head		2
10	C6240-80001	Body		1

MACHINERYHOUSE

Electric Panel Schematic



Wiring Diagram



Electric Panel Schematic

